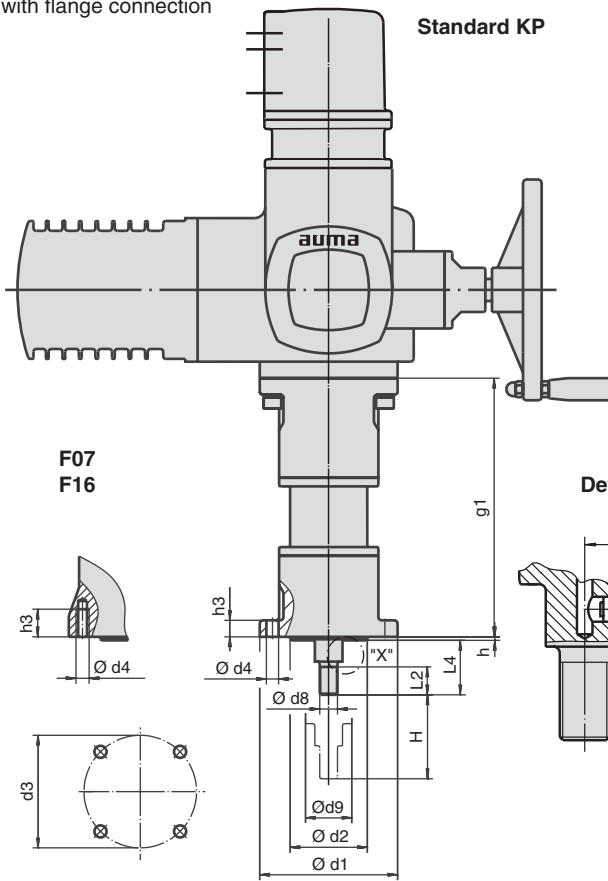


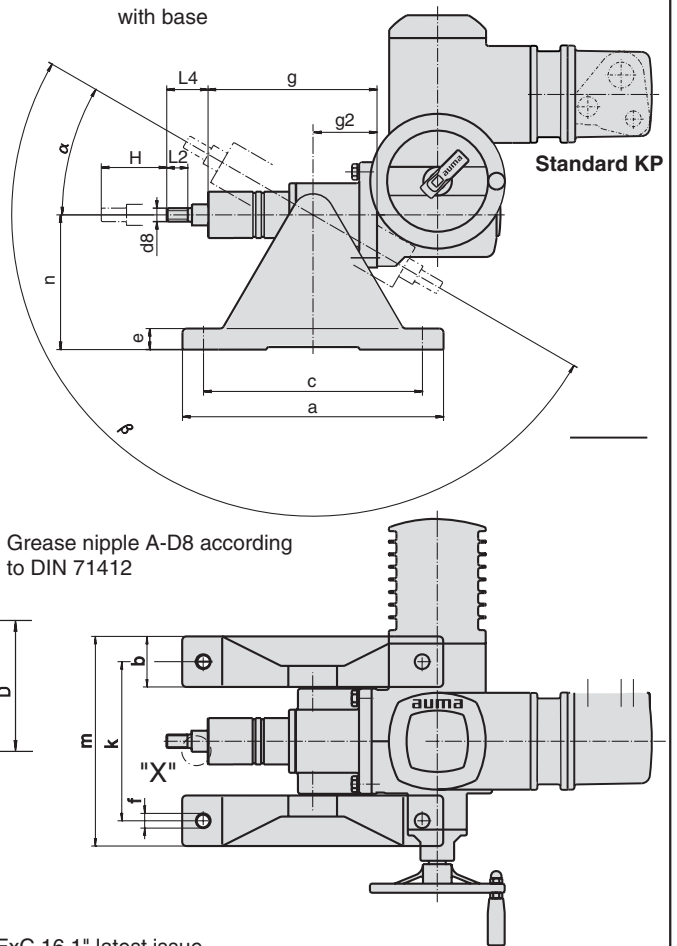
Dimensions Linear thrust unit

LE 12.1 – LE 200.1
SAExC 07.1 – SAExC 16.1
SARExC 07.1 – SARExC 16.1

with flange connection



with base



Standard version, actuator clockwise rotation: extending stem
 Dimensions of actuator refer to sheet "Dimensions SAExC 07.1 – SAExC 16.1" latest issue

Dimensions	Linear thrust unit																										
	LE 12.1					LE 25.1					LE 50.1				LE 70.1				LE 100.1				LE 200.1				
	F07/F10					F07/F10					F10				F14				F14				F16				
suitable actuator	SAExC 07.1 SARExC 07.1					SAExC 07.5 SARExC 07.5					SAExC 10.1 SARExC 10.1				SAExC 14.1 SARExC 14.1				SAExC 14.5 SARExC 14.5				SAExC 16.1 SARExC 16.1				
H (Hub)	50	100	200	400	500	50	100	200	400	500	63	125	250	400	80	160	320	400	80	160	320	400	100	200	400	500	
a	310					310					310				565				565				565				
b	60					60					60				80				80				80				
c	260					260					260				500				500				500				
Ø d 1	□75/125					□75/125					125				175				175				210				
Ø d 2	55 g7/70 f8					55 g7/70 f8					70 g7				100 f8				100 f8				130 f8				
Ø d 3	70/102					70/102					102				140				140				165				
d 4	M8/11					M8/11					11				18				18				M20				
Ø d 8	M12 x 1.25					M16 x 1.5					M20 x 1.5				M36 x 3				M36 x 3				M42 x 3				
Ø d 9 -0.1	42					42					55				70				70				100				
e	25					25					25				32				32				32				
f	17.5					17.5					17.5				26				26				26				
g	195	245	345	545	645	195	245	345	545	645	238	300	425	575	296	376	536	616	296	376	536	616	367	467	667	767	
g 1	191	241	341	541	641	191	241	341	541	641	234	296	421	571	293	373	533	613	293	373	533	613	362	462	662	762	
g 2	70					70					70				70				70				80				
h	3.4/3					3.4/3					3.4				4				4				4				
h 3	20/15					20/15					15				18				18				32				
k	190					190					190				262				262				303				
m	249					249					249				342				342				383				
n	160					160					160				315				315				315				
D	37					42					43				63				63				76				
E	18					21					24				26				26				29				
L 2	20					25					30				55				55				65				
L 4 ±0,2	45					50					55				75				75				90				
α max.	30°					30°					30°				25°				25°				25°				
β max.	145°					145°					140°				140°				140°				140°				

We reserve the right to alter data according to improvements made. Previous documents become invalid with the issue of this document.

auma®

Issue **1.10**

1/1

Y004.200/002/en