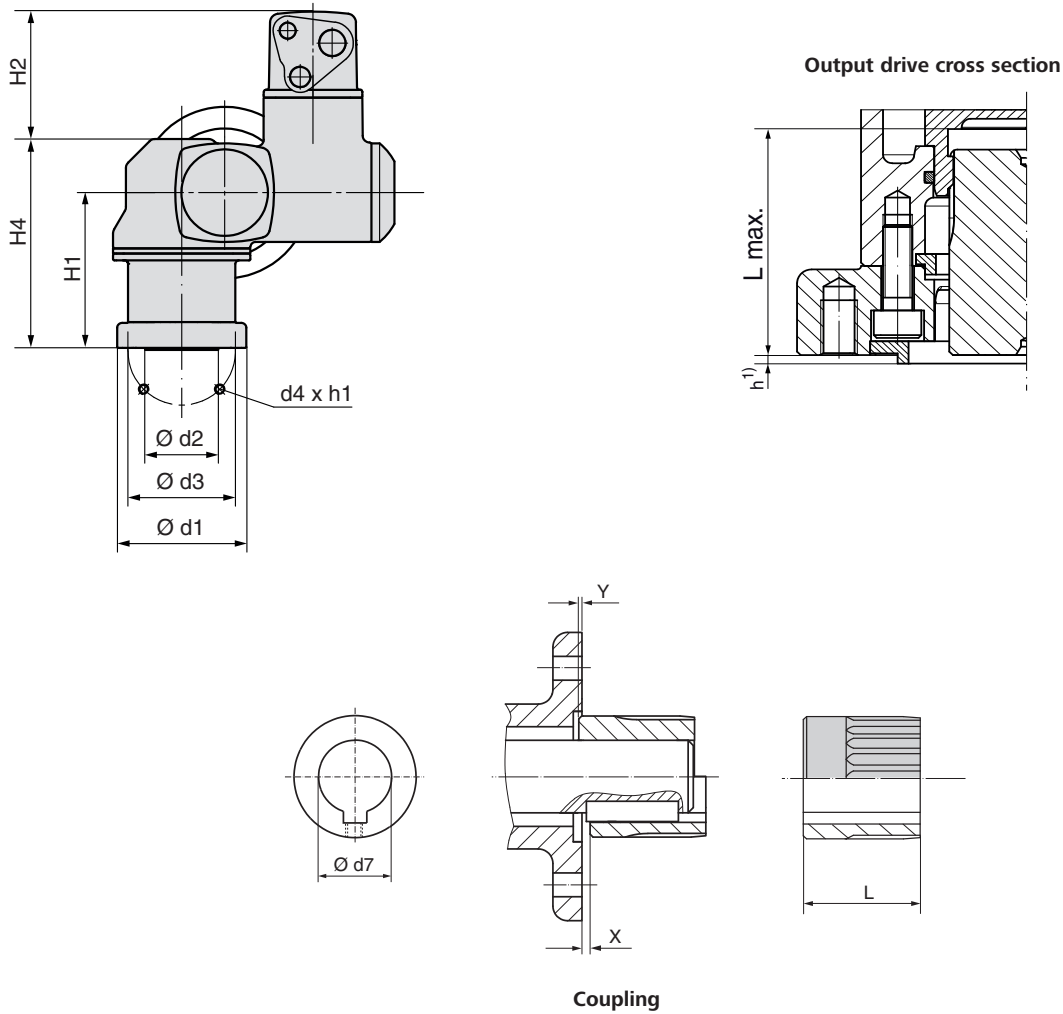


Dimensions Part-turn actuators with special output mounting flanges



- 1) Allowance for spigot is not available as standard. Spigot can be ordered as option
- 2) Bores for screws d4 shifted by 45°

For all other dimensions, refer to standard dimension sheet.

Output drives according to EN ISO 5211

Dimensions	EN ISO 5211	H1	H2	H4	L	L max.	X max.	Y max.	Ø d1	Ø d2 ¹⁾	Ø d3	d4	Ø d7 max.	h	h1 ¹⁾
SQ 05.2	F04	154	210	213	55	60	3	2	54	30	42	4 x M5	15	2.5	10
	F07	134	210	193	35	40	3	2	90	55	70	4 x M8	25.4	2.5	15
SQ 07.2	F07	134	210	193	35	40	3	2	90	55	70	4 x M8	25.4	2.5	15
	F10	160	210	217	60	66	3	2	125	70	102	4 x M10	25.4	2.5	16
	F12	154	210	211	55	60	3	2	150	85	125	4 x M12	25.4	3	19
SQ 10.2	F07	171	210	234	65	70	6	3	125	55	70	4 x M8	38	3	13
	F12 ²⁾	183	210	246	75	82	6	3	150	85	125	4 x M12	38	2.5	19
SQ 12.2	F10 ²⁾	215	210	278	95	101	5	10	125	–	102	4 x M10	50	–	18
	F14 ²⁾	215	210	278	95	101	5	10	175	100	140	4 x M16	50	3.5	25
	F16 ²⁾	225	210	288	105	111	5	10	210	130	165	4 x M20	50	4.5	32
SQ 14.2	F12 ²⁾	240	210	303	95	105	8	10	175	85	125	4 x M12	60	3	19
	F16 ²⁾	260	210	323	115	125	8	10	210	130	165	4 x M20	60	4.5	32

We reserve the right to alter data according to improvements made. Previous documents become invalid with the issue of this document.