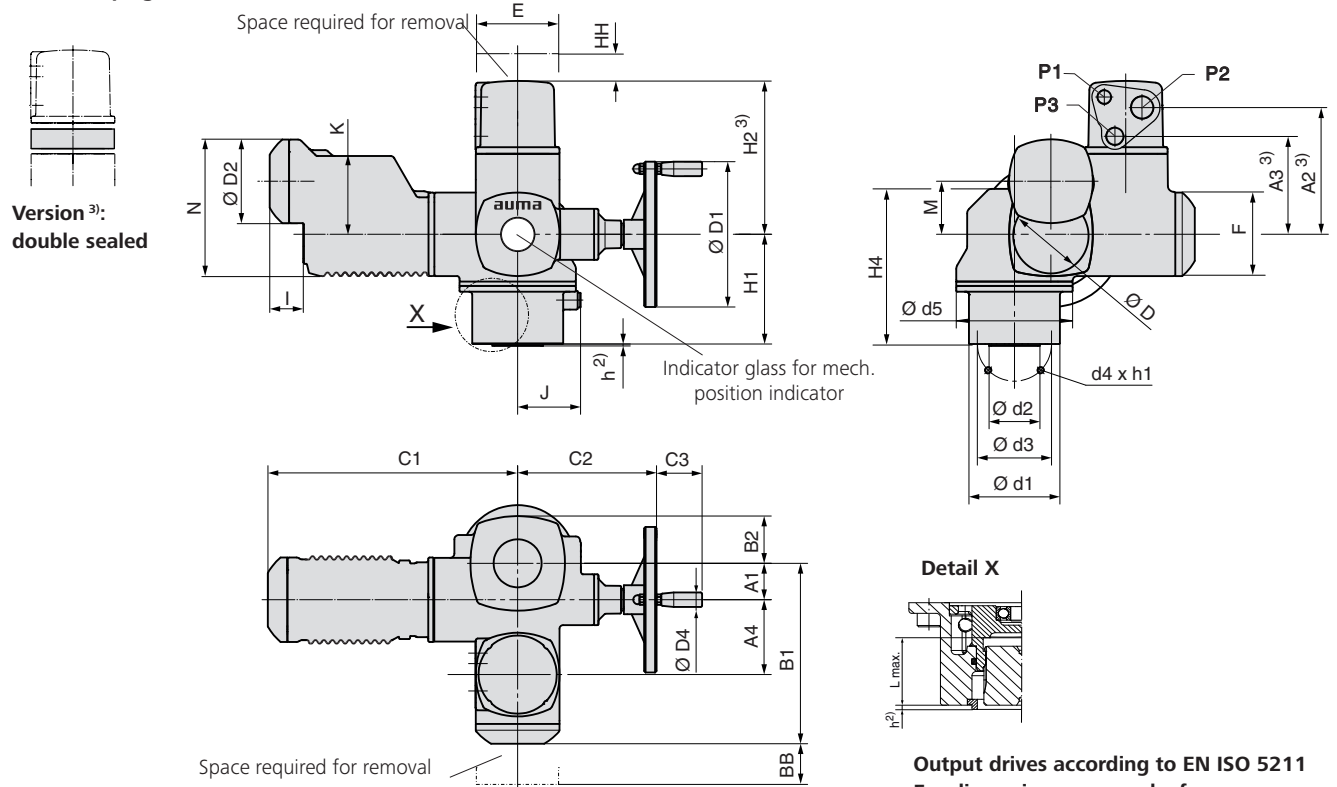


Dimensions Part-turn actuators with 1-ph AC motor

with AUMA plug/socket connector



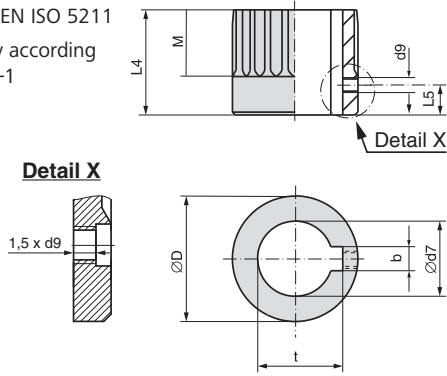
- 1) Standard, other threads on request
- 2) Allowance for spigot is not available as standard The spigot ring is a separate component, available as option.
- 3) Option: Enclosure protection IPxx-DS, cover for electrical connection with additional frame
- 4) Combined flange F05/F07 without spigot (standard). As an alternative an individual flange F07 can be ordered with/without spigot

Dimensions	SQ 05.2		SQ 07.2			SQ 10.2		SQ 12.2		SQ 14.2		
	EN ISO 5211	F05 ⁴⁾	F07 ⁴⁾	F05 ⁴⁾	F07 ⁴⁾	F10	F10	F12	F12	F14	F14	F16
A1			40				50		50			50
A2 ³⁾			174 (201 ³⁾)				174 (201 ³⁾)		174 (201 ³⁾)			174 (201 ³⁾)
A3 ³⁾			134 (161 ³⁾)				134 (161 ³⁾)		134 (161 ³⁾)			134 (161 ³⁾)
A4			103				103		103			103
B1			238				248		248			248
B2			50				65		65			65
C1			343				343		343			343
C2			186				191		191			191
C3			63				63		63			63
Ø D			107				107		107			107
Ø D1			160				200		200			200
Ø D2			115				115		115			115
Ø D4			20				20		20			20
E			115				115		115			115
F			115				115		115			115
H1		134		134	160		151	183	175	215	210	260
H2 ³⁾			210 (237 ³⁾)				210 (237 ³⁾)		210 (237 ³⁾)			210 (237 ³⁾)
H4		193		193	217		214	246	238	278	273	323
I			46				46		46			46
J			69				86		109			128
K			108				108		108			108
L max.		40		40	66		50	82	61	101	75	125
M			73				73		73			73
N			188				188		188			188
P1 ¹⁾			M20 x 1.5				M20 x 1.5		M20 x 1.5			M20 x 1.5
P2 ¹⁾			M32 x 1.5				M32 x 1.5		M32 x 1.5			M32 x 1.5
P3 ¹⁾			M25 x 1.5				M25 x 1.5		M25 x 1.5			M25 x 1.5
BB min.			180				180		180			180
HH min.			30				30		30			30
Ø d1		90		90	125		125	150	150	175	175	210
Ø d2		-		-	70		70	85	85	100	100	130
Ø d3		50	70	50	70	102	102	125	125	140	140	165
d4		4 x M6	4 x M8	4 x M6	4 x M8	4 x M10	4 x M10	4 x M12	4 x M12	4 x M16	4 x M16	4 x M20
Ø d5			125				160		210			225
h ²⁾		-		-	2.5		2.5		2.5	3.5	3.5	4.5
h1		12	15	12	15	16	18	19	22	25	29	32

We reserve the right to alter data according to improvements made. Previous documents become invalid with the issue of this document.

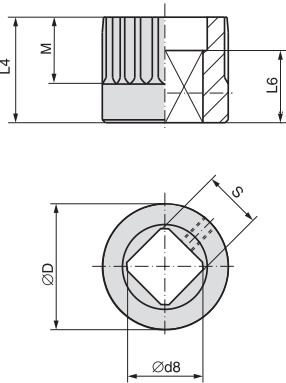
Dimensions Couplings according to EN ISO 5211

Bore acc. to EN ISO 5211
With keyway according to DIN 6885-1



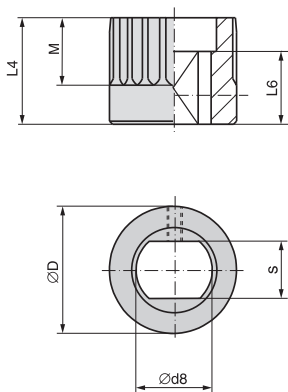
Dimensions	SQ 05.2		SQ 07.2		SQ 10.2		SQ 12.2		SQ 14.2	
EN ISO 5211	F05	F07	F07	F10	F10	F12	F12	F14	F14	F16
Ø D	41.75	41.75	41.75	51.75	51.75	51.75	67.6	67.6	81.6	81.6
b JS9 ¹⁾	6	6	6	8	8	8	10	10	14	14
Ø d7 H8 ²⁾	18	22	22	28	28	28	36	36	48	48
Ø d7 max.	25.4	25.4	25.4	38	38	38	50	50	60	60
d9 ³⁾	M5	M5	M5	M6	M6	M6	M6	M6	M6	M6
L4	35	35	60	45	75	75	55	95	65	115
L5 ³⁾	8	8	8	10	10	10	10	10	10	10
M	20	20	20	30	30	30	40	40	47	40
t ¹⁾	20.8	24.8	24.8	31.3	31.3	31.3	39.3	39.3	51.8	51.8

Square bore
According to EN ISO 5211



Dimensions	SQ 05.2		SQ 07.2		SQ 10.2		SQ 12.2		SQ 14.2	
EN ISO 5211	F05	F07	F07	F10	F10	F12	F12	F14	F14	F16
Ø D	41.75	41.75	41.75	51.75	51.75	51.75	67.6	67.6	81.6	81.6
Ø d8 min. ²⁾	18.1	22.2	22.2	28.2	28.2	28.2	36.2	36.2	48.2	48.2
Ø d8 max.	28.2	28.2	28.2	40.2 ⁴⁾	40.2 ⁴⁾	40.2 ⁴⁾	48.2	48.2	60.2	60.2
L4	35	35	60	45	75	75	55	95	65	115
L6 min.	30	30	30	30	30	30	30	30	40	40
M	20	20	20	30	30	30	40	40	47	40
s H11 ²⁾	14	17	17	22	22	22	27	27	36	36
s H11 max.	22	22	22	30 ⁴⁾	30 ⁴⁾	30 ⁴⁾	36	36	46	46

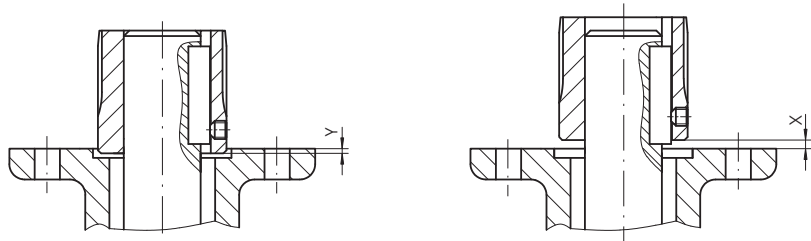
Bore with two-flats
According to EN ISO 5211



Dimensions	SQ 05.2		SQ 07.2		SQ 10.2		SQ 12.2		SQ 14.2	
EN ISO 5211	F05	F07	F07	F10	F10	F12	F12	F14	F14	F16
Ø D	41.75	41.75	41.75	51.75	51.75	51.75	67.6	67.6	81.6	81.6
Ø d8 min. ²⁾	18.1	22.2	22.2	28.2	28.2	28.2	36.2	36.2	48.2	48.2
Ø d8 max.	28.2	28.2	28.2	36.2	36.2	36.2	48.2 (48 ⁵⁾)	48.2 (48 ⁵⁾)	60.2	60.2
L4	35	35	60	45	75	75	55	95	65	115
L6 min.	25	25	25	25	25	25	30	30	40	40
M	20	20	20	30	30	30	40	40	47	40
s H11 ²⁾	14	17	17	22	22	22	27	27	36	36
s H11 max.	22	22	22	27	27	27	36 (41 ⁵⁾)	36 (41 ⁵⁾)	46	46

Mounting position of coupling

X max.	3	4	5	8
Y max.	2	5	10	10



- 1) Dimensions depend on Ø d7, refer to DIN 6885-1
- 2) Recommended size according to EN ISO 5211
- 3) Thread with grub screw
- 4) According to DIN 79
- 5) According to DIN 475

We reserve the right to alter data according to improvements made. Previous documents become invalid with the issue of this document.