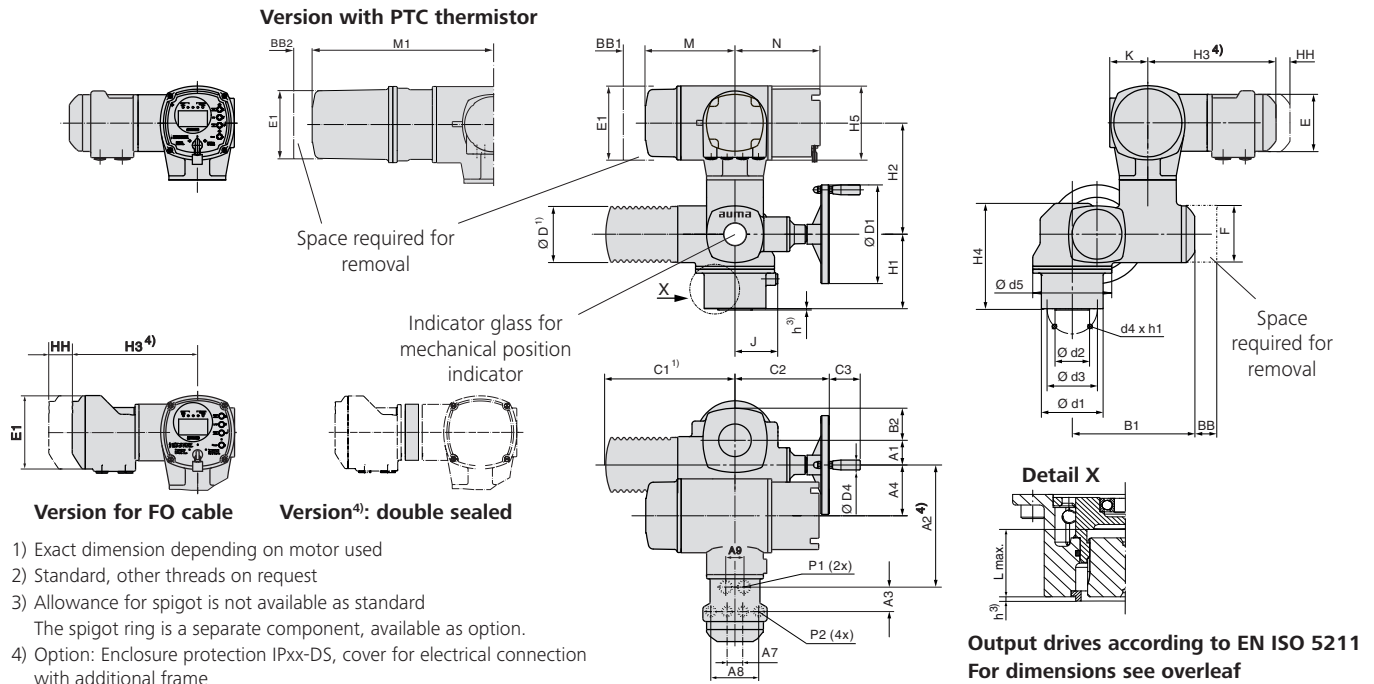


With AUMA plug/socket connector and 3-phase AC motor



Output drives according to EN ISO 5211  
For dimensions see overleaf

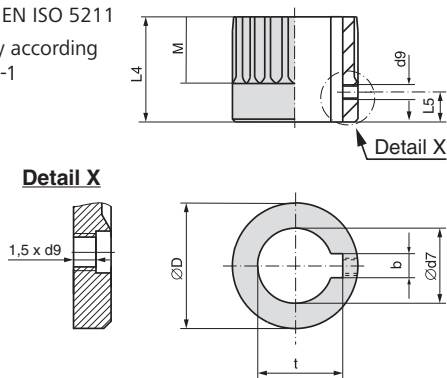
- 1) Exact dimension depending on motor used
- 2) Standard, other threads on request
- 3) Allowance for spigot is not available as standard  
The spigot ring is a separate component, available as option.
- 4) Option: Enclosure protection IPxx-DS, cover for electrical connection with additional frame
- 5) Combined flange F05/F07 without spigot (standard). As an alternative an individual flange F07 can be ordered with/without spigot

Dimensions	SQ 05.2/AC 01.2		SQ 07.2/AC 01.2			SQ 10.2/AC 01.2		SQ 12.2/AC 01.2		SQ 14.2/AC 01.2		
	F05 <sup>5)</sup>	F07 <sup>5)</sup>	F05 <sup>5)</sup>	F07 <sup>5)</sup>	F10	F10	F12	F12	F14	F14	F16	
EN ISO 5211												
A1			40				50		50		50	
A2 <sup>4)</sup>			251 (278 <sup>4)</sup> )				251 (278 <sup>4)</sup> )		251 (278 <sup>4)</sup> )		251 (278 <sup>4)</sup> )	
A3			48				48		48		48	
A4			103				103		103		103	
A7			32				32		32		32	
A8			96				96		96		96	
A9			35				35		35		35	
B1			238				248		248		248	
B2			50				65		65		65	
C1 <sup>1)</sup>			265				265		265		265	
C2			186				191		191		191	
C3			63				63		63		63	
Ø D <sup>1)</sup>			101				101		101		101	
Ø D1			160				200		200		200	
Ø D4			20				20		20		20	
E			115				115		115		115	
E1			150				150		150		150	
F			115				115		115		115	
H1		134		134	160	151	183	175	215	210	260	
H2			225				225		225		225	
H3 <sup>4)</sup>			257 (284 <sup>4)</sup> )				257 (284 <sup>4)</sup> )		257 (284 <sup>4)</sup> )		257 (284 <sup>4)</sup> )	
H4		193		193	217	214	246	238	278	273	323	
H5			150				150		150		150	
J			69				86		109		128	
K			75				75		75		75	
L max.		40		40	66	50	82	61	101	75	125	
M			265				265		265		265	
M1			349				349		349		349	
N			173				173		173		173	
P1 <sup>2)</sup>			2x M25 x 1,5				2x M25 x 1,5		2x M25 x 1,5		2x M25 x 1,5	
P2 <sup>2)</sup>			4x M20 x 1,5				4x M20 x 1,5		4x M20 x 1,5		4x M20 x 1,5	
BB min.			180				180		180		180	
BB1 min.			70				70		70		70	
BB2 min.			90				90		90		90	
HH min.			30				30		30		30	
Ø d1		90		90	125	125	150	150	175	175	210	
Ø d2		-		-	70	70	85	85	100	100	130	
Ø d3		50	70	50	70	102	102	125	140	140	165	
d4		4 x M6	4 x M8	4 x M6	4 x M8	4 x M10	4 x M10	4 x M12	4 x M16	4 x M16	4 x M20	
Ø d5			125				160		210		225	
h <sup>3)</sup>		-		-	2.5	2.5	2.5	2.5	3.5	3.5	4.5	
h1		12	15	12	15	16	18	19	22	25	29	32

We reserve the right to alter data according to improvements made. Previous documents become invalid with the issue of this document.

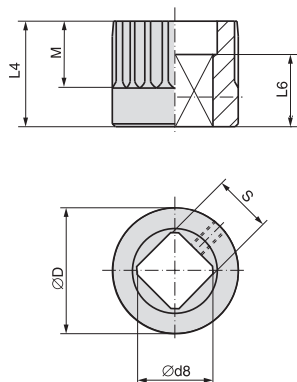
Bore acc. to EN ISO 5211

With keyway according to DIN 6885-1



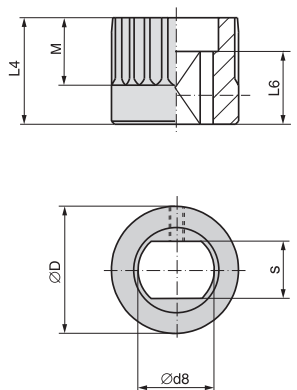
Dimensions	SQ 05.2		SQ 07.2		SQ 10.2		SQ 12.2		SQ 14.2	
EN ISO 5211	F05	F07	F07	F10	F10	F12	F12	F14	F14	F16
Ø D	41.75	41.75	41.75	51.75	51.75	51.75	67.6	67.6	81.6	81.6
b JS9 <sup>1)</sup>	6	6	6	8	8	8	10	10	14	14
Ø d7 H8 <sup>2)</sup>	18	22	22	28	28	28	36	36	48	48
Ø d7 max.	25.4	25.4	25.4	38	38	38	50	50	60	60
d9 <sup>3)</sup>	M5	M5	M5	M6	M6	M6	M6	M6	M6	M6
L4	35	35	60	45	75	75	55	95	65	115
L5 <sup>3)</sup>	8	8	8	10	10	10	10	10	10	10
M	20	20	20	30	30	30	40	40	47	40
t <sup>1)</sup>	20.8	24.8	24.8	31.3	31.3	31.3	39.3	39.3	51.8	51.8

Square bore according to EN ISO 5211



Dimensions	SQ 05.2		SQ 07.2		SQ 10.2		SQ 12.2		SQ 14.2	
EN ISO 5211	F05	F07	F07	F10	F10	F12	F12	F14	F14	F16
Ø D	41.75	41.75	41.75	51.75	51.75	51.75	67.6	67.6	81.6	81.6
Ø d8 min. <sup>2)</sup>	18.1	22.2	22.2	28.2	28.2	28.2	36.2	36.2	48.2	48.2
Ø d8 max.	28.2	28.2	28.2	40.2 <sup>4)</sup>	40.2 <sup>4)</sup>	40.2 <sup>4)</sup>	48.2	48.2	60.2	60.2
L4	35	35	60	45	75	75	55	95	65	115
L6 min.	30	30	30	30	30	30	30	30	40	40
M	20	20	20	30	30	30	40	40	47	40
s H11 <sup>2)</sup>	14	17	17	22	22	22	27	27	36	36
s H11 max.	22	22	22	30 <sup>4)</sup>	30 <sup>4)</sup>	30 <sup>4)</sup>	36	36	46	46

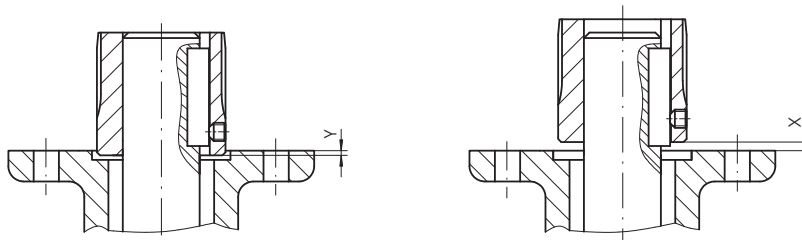
Bore with two-flats according to EN ISO 5211



Dimensions	SQ 05.2		SQ 07.2		SQ 10.2		SQ 12.2		SQ 14.2	
EN ISO 5211	F05	F07	F07	F10	F10	F12	F12	F14	F14	F16
Ø D	41.75	41.75	41.75	51.75	51.75	51.75	67.6	67.6	81.6	81.6
Ø d8 min. <sup>2)</sup>	18.1	22.2	22.2	28.2	28.2	28.2	36.2	36.2	48.2	48.2
Ø d8 max.	28.2	28.2	28.2	36.2	36.2	36.2	48.2 (48 <sup>5)</sup> )	48.2 (48 <sup>5)</sup> )	60.2	60.2
L4	35	35	60	45	75	75	55	95	65	115
L6 min.	25	25	25	25	25	25	30	30	40	40
M	20	20	20	30	30	30	40	40	47	40
s H11 <sup>2)</sup>	14	17	17	22	22	22	27	27	36	36
s H11 max.	22	22	22	27	27	27	36 (41 <sup>5)</sup> )	36 (41 <sup>5)</sup> )	46	46

Mounting position of coupling

X max.	3	4	5	8
Y max.	2	5	10	10



1) Dimensions depend on Ø d7, refer to DIN 6885-1

2) Recommended size according to EN ISO 5211

3) Thread with grub screw

4) According to DIN 79

5) According to DIN 475