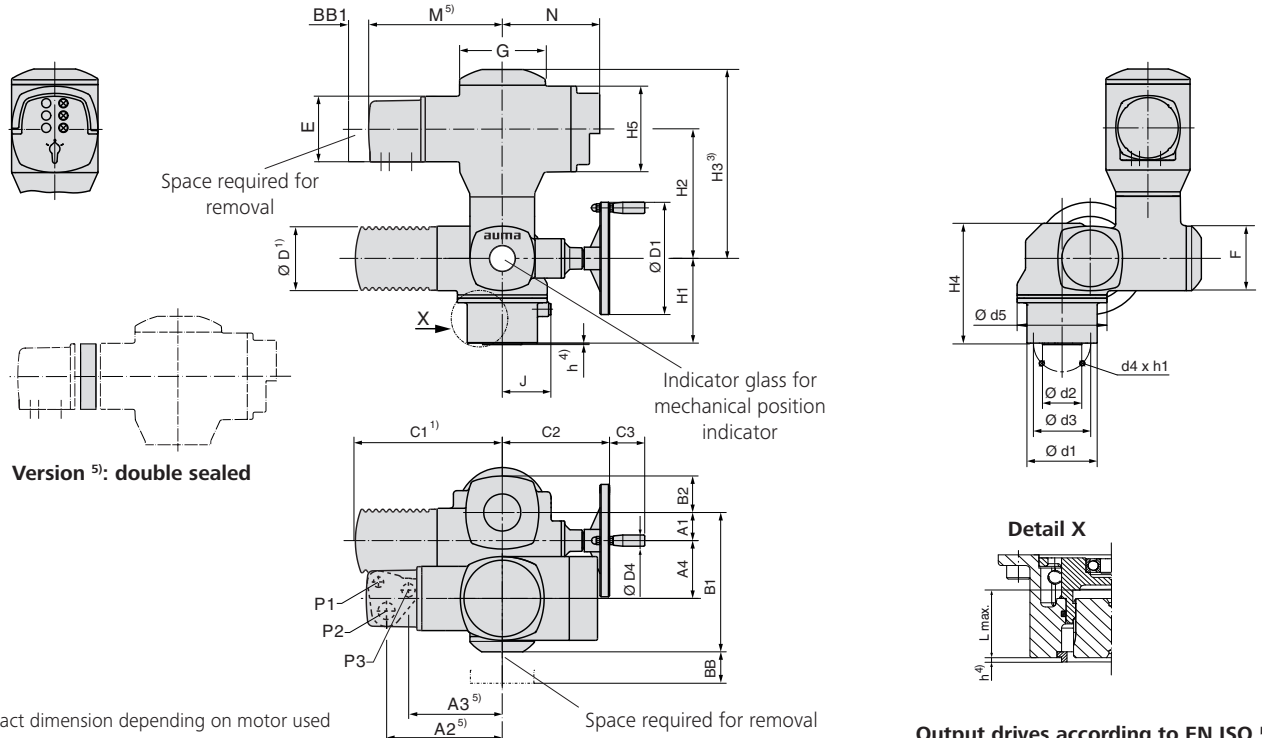


Dimensions Part-turn actuators with integral controls AUMA MATIC

With AUMA plug/socket connector and 3-phase AC motor



Version 5¹⁾: double sealed

- 1) Exact dimension depending on motor used
- 2) Standard, other threads on request
- 3) Exact dimension depending on AM equipment
- 4) Allowance for spigot is not available as standard
- The spigot ring is a separate component, available as option.
- 5) Option: Enclosure protection IPxx-DS, cover for electrical connection with additional frame
- 6) Combined flange F05/F07 without spigot (standard). As an alternative an individual flange F07 can be ordered with/without spigot

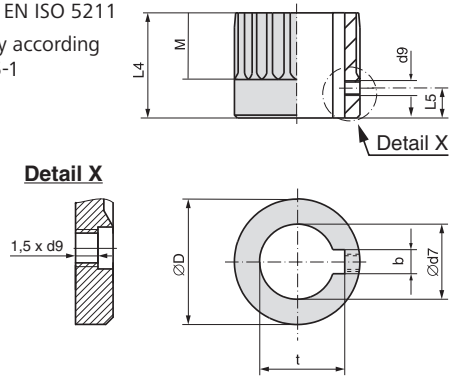
Output drives according to EN ISO 5211
For dimensions see overleaf

Dimensions	SQ 05.2/AM 01.1		SQ 07.2/AM 01.1			SQ 10.2/AM 01.1		SQ 12.2/AM 01.1		SQ 14.2/AM 01.1		
	EN ISO 5211	F05 ⁶⁾	F07 ⁶⁾	F05 ⁶⁾	F07 ⁶⁾	F10	F10	F12	F12	F14	F14	F16
A1		40					50		50			50
A2 ⁵⁾		199 (226 ⁵⁾)					199 (226 ⁵⁾)		199 (226 ⁵⁾)			199 (226 ⁵⁾)
A3 ⁵⁾		159 (186 ⁵⁾)					159 (186 ⁵⁾)		159 (186 ⁵⁾)			159 (186 ⁵⁾)
A4		103					103		103			103
B1		238					248		248			248
B2		50					65		65			65
C1 ¹⁾		265					265		265			265
C2		186					191		191			191
C3		63					63		63			63
Ø D ¹⁾		101					101		101			101
Ø D1		160					200		200			200
Ø D4		20					20		20			20
E		115					115		115			115
F		115					115		115			115
G		150					150		150			150
H1		134		134	160	151	183	175	215	210		260
H2			232				232		232			232
H3 ³⁾			337				337		337			337
H4		193		193	217	214	246	238	278	273		323
H5			150				150		150			150
J			69				86		109			128
L max.		40		40	66	50	82	61	101	75		125
M ⁵⁾		235 (262 ⁵⁾)					235 (262 ⁵⁾)		235 (262 ⁵⁾)			235 (262 ⁵⁾)
N		171					171		171			171
P1 ²⁾		M20 x 1.5					M20 x 1.5		M20 x 1.5			M20 x 1.5
P2 ²⁾		M32 x 1.5					M32 x 1.5		M32 x 1.5			M32 x 1.5
P3 ²⁾		M25 x 1.5					M25 x 1.5		M25 x 1.5			M25 x 1.5
BB min.		180					180		180			180
BB1 min.		30					30		30			30
Ø d1		90		90	125	125	150	150	175	175		210
Ø d2		-		-	70	70	85	85	100	100		130
Ø d3		50	70	50	70	102	125	125	140	140		165
d4		4 x M6	4 x M8	4 x M6	4 x M8	4 x M10	4 x M10	4 x M12	4 x M16	4 x M16		4 x M20
Ø d5		125					160		210			225
h ⁴⁾		-		-	2.5	2.5	2.5	2.5	3.5	3.5		4.5
h1		12	15	15	16	18	19	22	25	29		32

We reserve the right to alter data according to improvements made. Previous documents become invalid with the issue of this document.

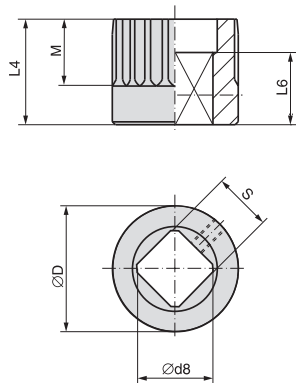
Dimensions Couplings according to EN ISO 5211

Bore acc. to EN ISO 5211
With keyway according to DIN 6885-1



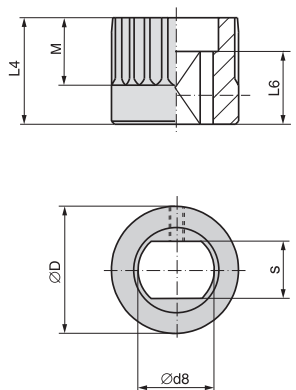
Dimensions	SQ 05.2		SQ 07.2		SQ 10.2		SQ 12.2		SQ 14.2	
EN ISO 5211	F05	F07	F07	F10	F10	F12	F12	F14	F14	F16
Ø D	41.75	41.75	41.75	51.75	51.75	51.75	67.6	67.6	81.6	81.6
b JS9 ¹⁾	6	6	6	8	8	8	10	10	14	14
Ø d7 H8 ²⁾	18	22	22	28	28	28	36	36	48	48
Ø d7 max.	25.4	25.4	25.4	38	38	38	50	50	60	60
d9 ³⁾	M5	M5	M5	M6	M6	M6	M6	M6	M6	M6
L4	35	35	60	45	75	75	55	95	65	115
L5 ³⁾	8	8	8	10	10	10	10	10	10	10
M	20	20	20	30	30	30	40	40	47	40
t ¹⁾	20.8	24.8	24.8	31.3	31.3	31.3	39.3	39.3	51.8	51.8

Square bore according to EN ISO 5211



Dimensions	SQ 05.2		SQ 07.2		SQ 10.2		SQ 12.2		SQ 14.2	
EN ISO 5211	F05	F07	F07	F10	F10	F12	F12	F14	F14	F16
Ø D	41.75	41.75	41.75	51.75	51.75	51.75	67.6	67.6	81.6	81.6
Ø d8 min. ²⁾	18.1	22.2	22.2	28.2	28.2	28.2	36.2	36.2	48.2	48.2
Ø d8 max.	28.2	28.2	28.2	40.2 ⁴⁾	40.2 ⁴⁾	40.2 ⁴⁾	48.2	48.2	60.2	60.2
L4	35	35	60	45	75	75	55	95	65	115
L6 min.	30	30	30	30	30	30	30	30	40	40
M	20	20	20	30	30	30	40	40	47	40
s H11 ²⁾	14	17	17	22	22	22	27	27	36	36
s H11 max.	22	22	22	30 ⁴⁾	30 ⁴⁾	30 ⁴⁾	36	36	46	46

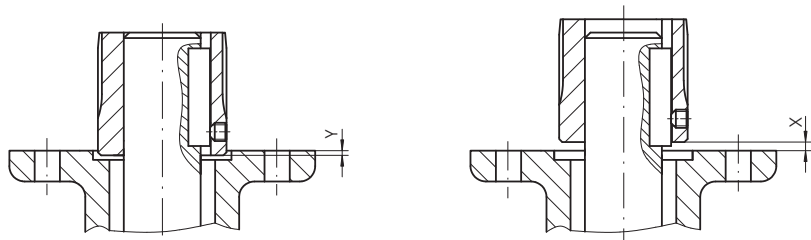
Bore with two-flats according to EN ISO 5211



Dimensions	SQ 05.2		SQ 07.2		SQ 10.2		SQ 12.2		SQ 14.2	
EN ISO 5211	F05	F07	F07	F10	F10	F12	F12	F14	F14	F16
Ø D	41.75	41.75	41.75	51.75	51.75	51.75	67.6	67.6	81.6	81.6
Ø d8 min. ²⁾	18.1	22.2	22.2	28.2	28.2	28.2	36.2	36.2	48.2	48.2
Ø d8 max.	28.2	28.2	28.2	36.2	36.2	36.2	48.2 (48 ⁵⁾)	48.2 (48 ⁵⁾)	60.2	60.2
L4	35	35	60	45	75	75	55	95	65	115
L6 min.	25	25	25	25	25	25	30	30	40	40
M	20	20	20	30	30	30	40	40	47	40
s H11 ²⁾	14	17	17	22	22	22	27	27	36	36
s H11 max.	22	22	22	27	27	27	36 (41 ⁵⁾)	36 (41 ⁵⁾)	46	46

Mounting position of coupling

X max.	3	4	5	8
Y max.	2	5	10	10



- 1) Dimensions depend on Ø d7, refer to DIN 6885-1
- 2) Recommended size according to EN ISO 5211
- 3) Thread with grub screw
- 4) According to DIN 79
- 5) According to DIN 475

We reserve the right to alter data according to improvements made. Previous documents become invalid with the issue of this document.