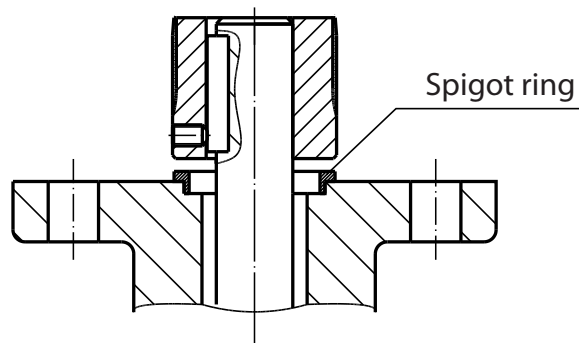
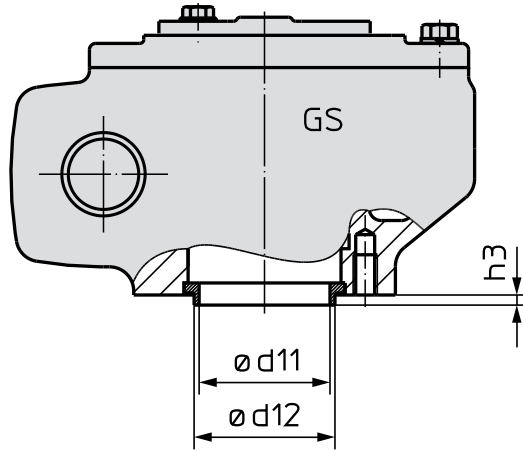


Dimensions Spigot rings



Note: The outer diameter of coupling is partially larger than the bore within the spigot ring. In these cases, the spigot ring must be placed onto the valve flange prior to fitting the coupling onto the valve shaft (refer to sketch)

Dimensions	GS 50.3			GS 63.3		GS 80.3		GS 100.3		GS 125.3	
	F05	F07	F10	F10	F12	F12	F14	F14	F16	F16	F25
EN ISO 5211	F05	F07	F10	F10	F12	F12	F14	F14	F16	F16	F25
$\varnothing d11$	32.5	49	64	64	79	79	92	92	121	121	190
$\varnothing d12 f8$	35	55	70	70	85	85	100	100	130	130	200
h3	2.5	2.5	2.5	2.5	2.5	2.5	3.5	3.5	4.5	4.5	4.5

We reserve the right to alter data according to improvements made. Previous documents become invalid with the issue of this document.