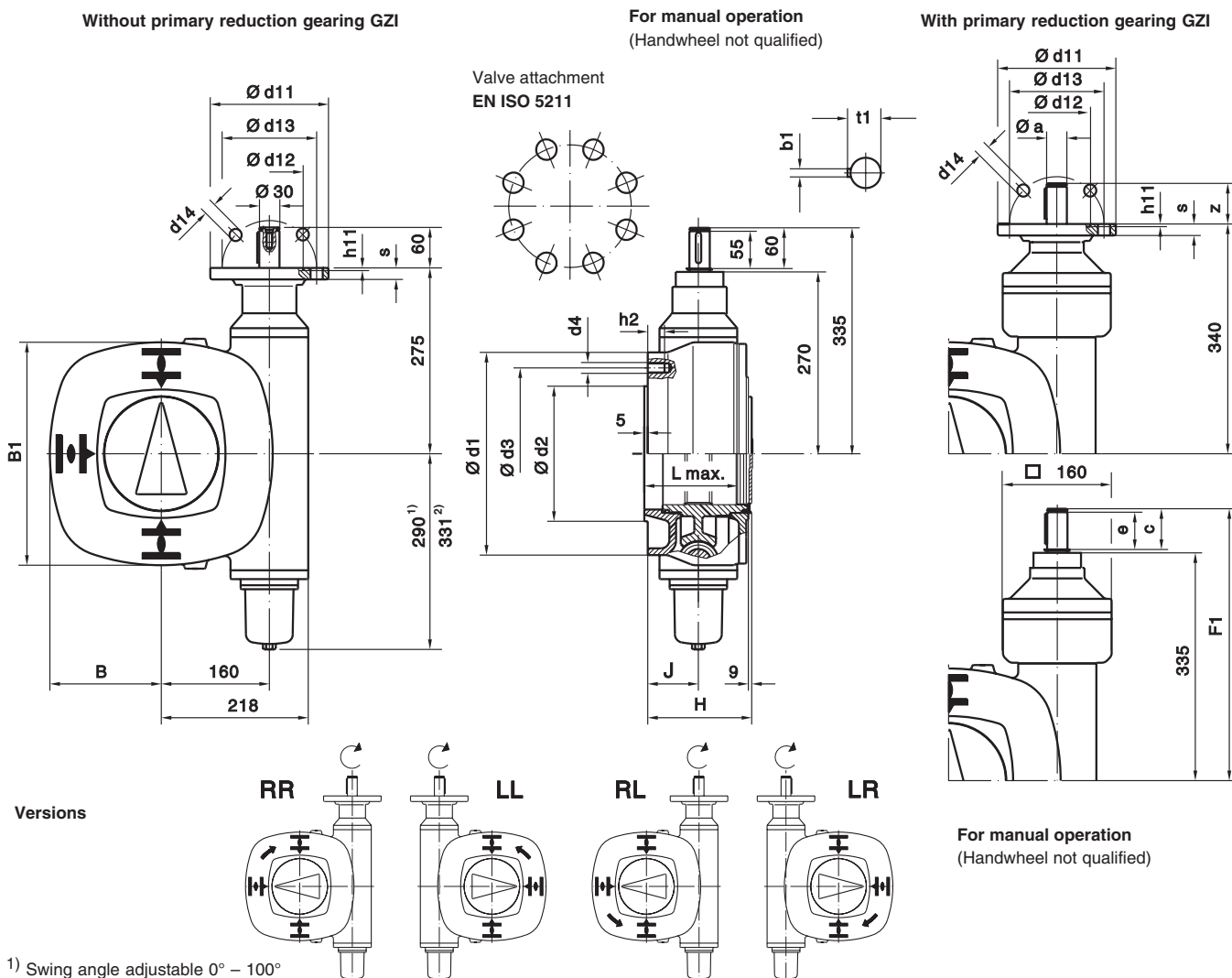


Dimensions Worm gearboxes and primary reduction gearing for use in nuclear power plants Inside/Outside Containment according to IEEE 382-1996

GSI 160.3 with GZI 160.3



1) Swing angle adjustable 0° – 100°
2) Swing angle adjustable 90° – 190°

Dimensions	GSI 160.3		GSI 160.3 GZI 160.3 - 4:1				GSI 160.3 GZI 160.3 - 8:1	
	F25	F30	F25		F30		F25	F30
EN ISO 5211	F25	F30	F25	F30	F25	F30	F25	F30
B	165	175	165	175	165	175	165	175
B1	330	350	330	350	330	350	330	350
F1	—	—	380	400	380	400	380	350
H	158	173	158	173	158	173	158	173
J	75	90	75	90	75	90	75	90
Ø a	—	—	20	30	20	30	20	30
b1	8	8	6	8	6	8	6	8
c	60	60	43	60	43	60	43	60
Ø d1	300	350	300	350	300	350	300	350
Ø d2 f8	200	230	200	230	200	230	200	230
Ø d3	254	298	254	298	254	298	254	298
d4	M16	M20	M16	M20	M16	M20	M16	M20
e	55	55	38	55	38	55	38	55
h2	25	32	25	32	25	32	25	32
L max.	133	148	133	148	133	148	133	148
t1	33	33	22.5	33	22.5	33	22.5	33
z	60	60	40	60	40	60	40	60
EN ISO 5210 ³⁾	F14/F16	F14/F16	F10/F14		F10/F14		F10	
DIN 3210 ³⁾	G1/2/G3	G1/2/G3	G0/G1/2		G0/G1/2		G0	

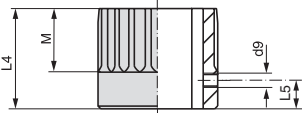
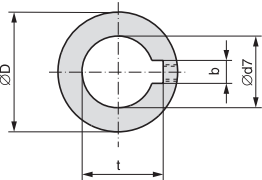
³⁾ Flange for mounting to multi-turn actuator

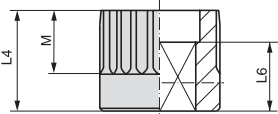
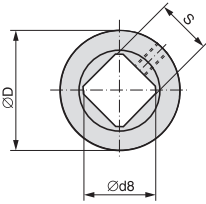
EN ISO 5210 (DIN 3210)	F10	(G0)	F14 (G1/2)	F16 (G3)
Ø d11	125	125	175	210
Ø d12	70	60	100	130
Ø d13	102	102	140	165
Ø d14	4x11	4x11	4x18	4x22
h11	5	5	5	6
s	12	12	17	25

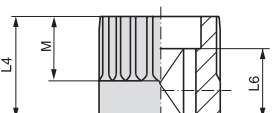
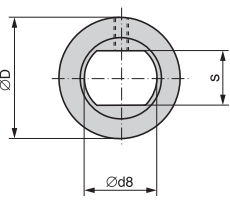
We reserve the right to alter data according to improvements made. Previous documents become invalid with the issue of this document.

**GSI 160.3
with
GZI 160.3**

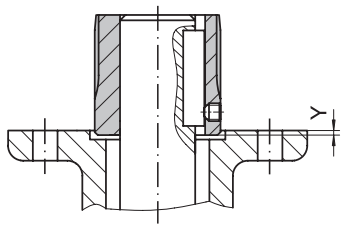
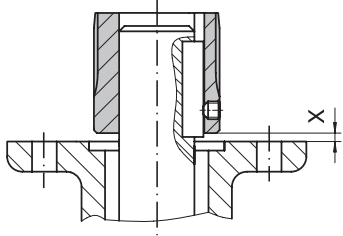
**Dimensions coupling according to EN ISO 5211
DIN 6885**

Bore acc. to EN ISO 5211 with keyway acc. to DIN 6885 P1  	Type	
	EN ISO 5211	GSI 160.3
	F25	F30
Ø D	149.2	
b JS9 ¹⁾	according to DIN 6885 P1	
Ø d7 max.	100	
d9 ³⁾	M10	
L4	110	
L5	20	
M	70	
t ¹⁾	according to DIN 6885 P1	

Square bore acc. to EN ISO 5211  	Ø D	149.2
	Ø d8 ²⁾ min.	72.2
Ø d8 max.	98.2	
L4	110	
L6 min.	50	
M	70	
s H11 ²⁾	55	
s H11 max.	75	

Bore with two-flats acc. to EN ISO 5211  	Ø D	149.2
	Ø d8 ²⁾ min.	72.2
Ø d8 max.	98.2	
L4	110	
L6 min.	50	
M	70	
s H11 ²⁾	55	
s H11 max.	75	

X max.	15	30
Y max.	11	0

Mounting position of coupling  
--

¹⁾ Dimensions depend on Ø d7, refer to DIN 6885 P1
²⁾ Recommended size according to EN ISO 5211
³⁾ Thread and grub screw

We reserve the right to alter data according to improvements made. Previous documents become invalid with the issue of this document.