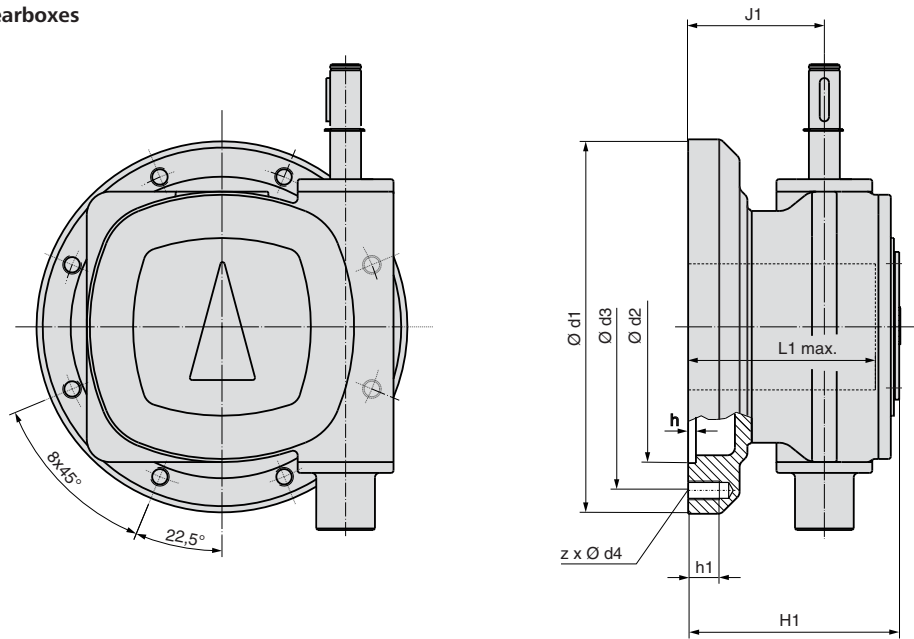
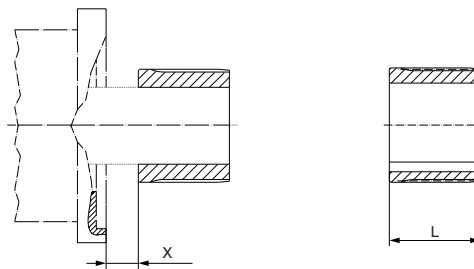


Dimensions Part-turn gearboxes with output mounting flange GS 00 – GS 3

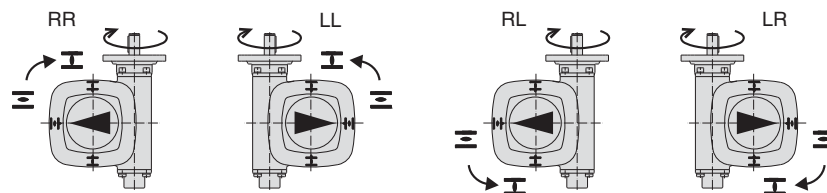
Standard Part-turn gearboxes



Coupling (standard)



Version



For all other dimensions, please refer to "Dimensions Part-turn gearboxes"

Dimensions			H1	J1	L	d1	d2 H9	d3	d4	h	h1	L1 max.	x min.	x max.	z
GS 50.3	F10	GS 00	108	68	45	136	95	115	M10	5	16	91	25	42	8
GS 63.3	F10	GS 00	119	70	55	136	95	115	M10	5	16	103	12	35	8
	F12	GS 0	134	85	55	240	175	210	M12	5	20	118	28	52	8
GS 80.3	F12	GS 0	137	87	65	240	175	210	M12	5	20	120	23	53	8
	F14	GS 1	155	105	65	290	230	255	M16	5	26	138	44	71	8
GS 100.3	F14	GS 1	190	123	80	290	230	255	M16	5	26	173	37	70	8
	F16	GS 2	197	130	80	345	260	300	M20	5	32	180	49	77	8
GS 125.3	F16	GS 2	200	130	110	345	260	300	M20	5	32	183	21	72	8
	F25	GS 3	205	135	110	410	315	355	M20	5	32	188	34	77	8

We reserve the right to alter data according to improvements made. Previous documents become invalid with the issue of this document.