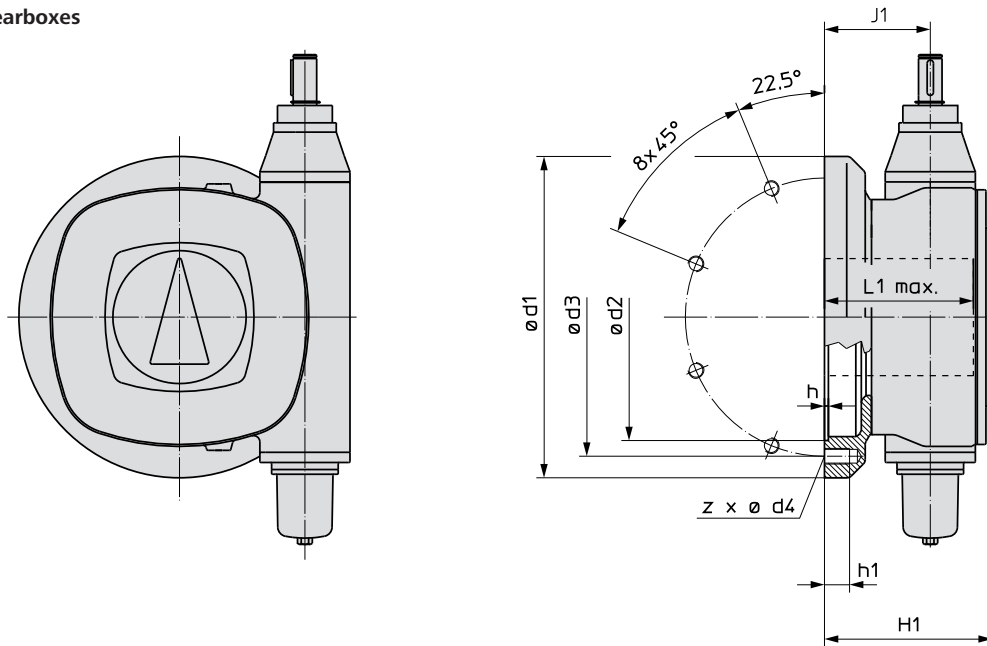
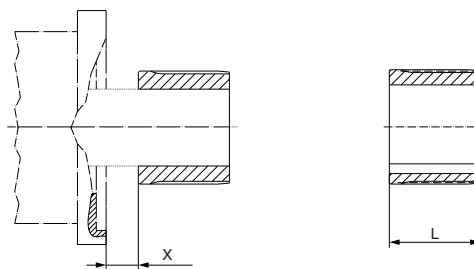


Dimensions Part-turn gearbox with output mounting flange GS 3 – GS 6

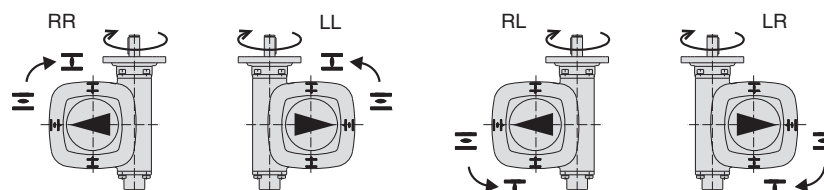
Standard Part-turn gearboxes



Coupling (standard)



Version



For all other dimensions, please refer to "Dimensions Part-turn gearboxes"

Dimensions			H1	J1	L	d1	d2 H9	d3	d4	h	h1	L1 max.	x min.	x max.	z
GS 160.3	F25	GS 3	215	135	110	410	315	355	M20	5	32	190	30	75	8
	F30	GS 4	225	145	110	480	360	405	M20	5	32	200	49	85	8
GS 200.3	F30	GS 4	241	145	140	480	360	405	M20	5	32	215	15	74	8
	F35	GS 5	271	175	140	535	430	465	M20	5	32	245	57	104	8
GS 250.3	F35	GS 5	309	190	180	535	430	465	M20	5	32	280	10	74	8
	F40	GS 6	339	220	180	670	530	585	M30	6	48	310	60	104	8

We reserve the right to alter data according to improvements made. Previous documents become invalid with the issue of this document.