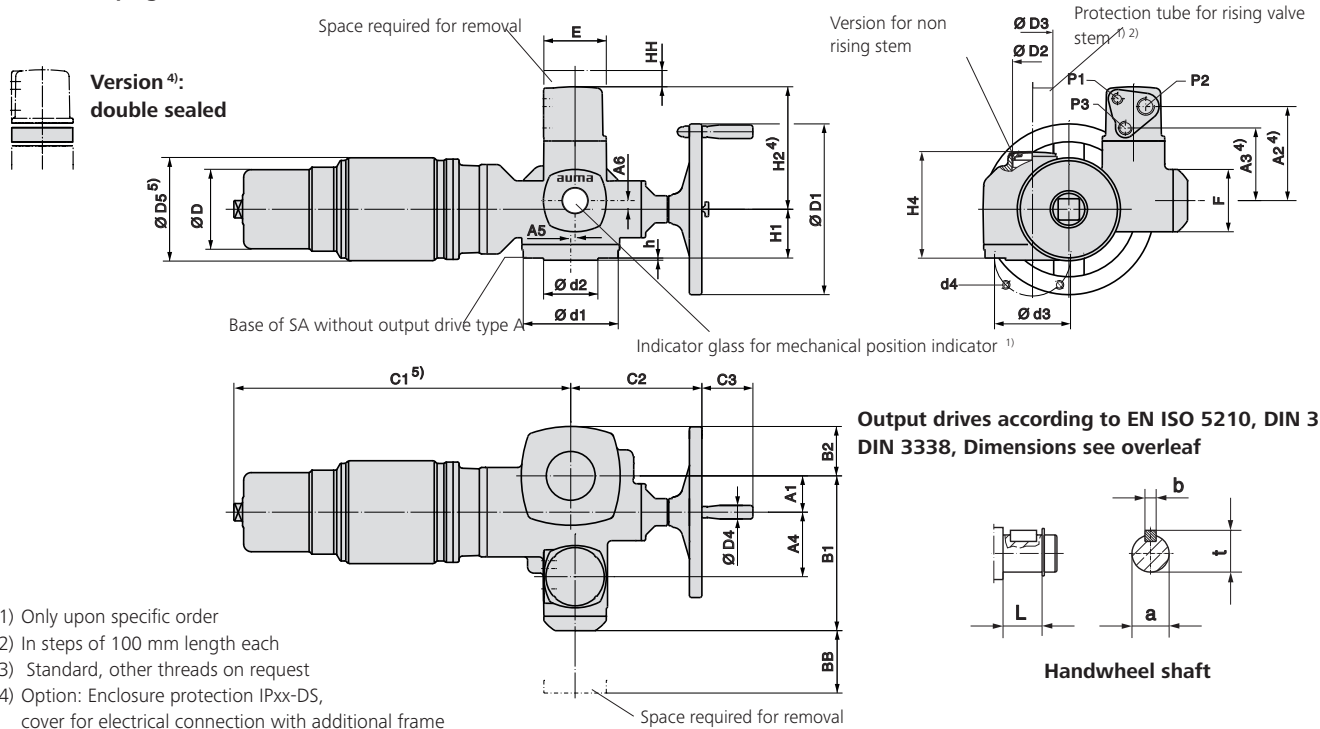


Dimensions Multi-turn actuators with 1-ph AC motor

with AUMA plug/socket connector



- 1) Only upon specific order
- 2) In steps of 100 mm length each
- 3) Standard, other threads on request
- 4) Option: Enclosure protection IPxx-DS, cover for electrical connection with additional frame
- 5) Exact dimension depending on motor used

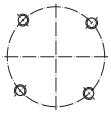
Dimensions	SA 07.2/SAR 07.2		SA 07.6/SAR 07.6		SA 10.2/SAR 10.2	SA14.2/SAR14.2	SA 14.6/SAR14.6
	F07	F10 (G0)	F07	F10 (G0)	F10 (G0)	F14 (G1/2)	F14 (G1/2)
EN ISO 5210 (DIN3210)	F07	F10 (G0)	F07	F10 (G0)	F10 (G0)	F14 (G1/2)	F14 (G1/2)
A1	40		40		50	67	67
A2 ⁴⁾	174 (201 ⁴⁾)		174 (201 ⁴⁾)		174 (201 ⁴⁾)	174 (201 ⁴⁾)	174 (201 ⁴⁾)
A3 ⁴⁾	134 (161 ⁴⁾)		134 (161 ⁴⁾)		134 (161 ⁴⁾)	134 (161 ⁴⁾)	134 (161 ⁴⁾)
A4	103		103		103	119	119
A5	–		–		–	8	8
A6	–		–		–	16	16
B1	238		238		248	286	286
B2	62		62		65	90	90
C1 ⁵⁾	565		565		576 (571)	622	622
C2	186		186		191	242	245
C3	63		63		63	94	94
Ø D	146		146		146	146	146
Ø D1	160		160		200	315	400
Ø D2	G 1¼"		G 1¼"		G 2"	G 2½"	G 2½"
Ø D3	42 x 3,3		42 x 3.3		60 x 3.7	76 x 3.7	76 x 3.7
Ø D4	20		20		20	25	25
Ø D5 ⁵⁾	170		170		190 (170)	190	190
E	115		115		115	115	115
F	115		115		115	115	115
H1	78		78		80	90	90
H2 ⁴⁾	210 (237 ⁴⁾)		210 (237 ⁴⁾)		210 (237 ⁴⁾)	226 (253 ⁴⁾)	226 (253 ⁴⁾)
H4	160		160		170	196	196
L	20		20		24	38.8	45.8
P1 ³⁾	M20 x 1.5		M20 x 1.5		M20 x 1.5	M20 x 1.5	M20 x 1.5
P2 ³⁾	M32 x 1.5		M32 x 1.5		M32 x 1.5	M32 x 1.5	M32 x 1.5
P3 ³⁾	M25 x 1.5		M25 x 1.5		M25 x 1.5	M25 x 1.5	M25 x 1.5
BB min.	180		180		180	180	180
HH min.	30		30		30	30	30
Ø a	20 d7		20 d7		20 d7	30 d7	30 d7
b	6		6		6	8	8
Ø d1	90	125	90	125	125	175	175
Ø d2	55	70 (60)	55	70 (60)	70 (60)	100	100
Ø d3	70	102	70	102	102	140	140
d4	4 x M8	4 x M10	4 x M8	4 x M10	4 x M10	4 x M16	4 x M16
h	3		3		3	4	4
t	22.5		22.5		22.5	33	33

We reserve the right to alter data according to improvements made. Previous documents become invalid with the issue of this document.

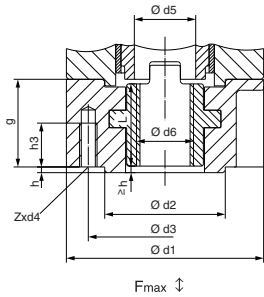
Dimensions Valve attachments according to EN ISO 5210, DIN 3338, DIN 3210

Stem nut

Type
EN ISO 5210 **A**
DIN 3210 **A**



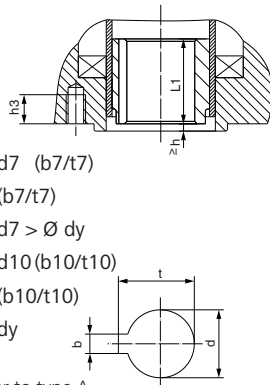
Arrangement of holes d4



Dimensions		SA 07.2/SA 07.6			SA 10.2		SA 14.2/SA 14.6	
EN ISO 5210	DIN 3210	F07	F10	G0	F10	G0	F14	G1/2
F max. kN		40	40	40	70	70	160	
Ø d1		90	125	125	125	125	175	
Ø d2		55	70	60	70	60	100	
Ø d3		70	102	102	102	102	140	
d4		M8	M10	M10	M10	M10	M16	
Ø d5		35	36	36	44	44	62	
Ø d6 max. 5)		27	33	33	41	41	57	
g		40	50	50	50	50	65	
h		3	3	3	3	3	4	
h3		12	15	15	15	15	25	
L		37	47	47	47	47	60	
Z		4	4	4	4	4	4	
Weight kg		1.1	2.8	2.8	2.8	2.8	6.8	

Output drive sleeve 3)

Type
EN ISO 5210 **B 1 = Ø d7 (b7/t7)**
DIN 3210 **B = Ø d7 (b7/t7)**
EN ISO 5210 **B 2 < Ø d7 > Ø dy**
EN ISO 5210 **B 3 = Ø d10 (b10/t10)**
DIN 3210 **E = Ø d10 (b10/t10)**
EN ISO 5210 **B 4 ≤ Ø dy**

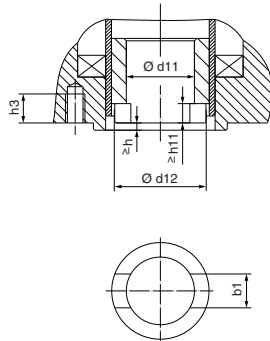


For missing dimensions, refer to type A

Dimensions		SA 07.2/SA 07.6			SA 10.2		SA 14.2/SA 14.6	
EN ISO 5210	DIN 3210	F07	F10	G0	F10	G0	F14	G1/2
Ø d7 H9		28	42	42	42	42	60	
b7 JS9		8	12	12	12	12	18	
t7		31.3	45.3	45.3	45.3	45.3	64.4	
Ø d10 H9		16	20	20	20	20	30	
b10 JS9		5	6	6	6	6	8	
t10		18.3	22.8	22.8	22.8	22.8	33.3	
Ø dy H9 1)		25	35	35	35	35	45	
h3		12	13	13	15	15	25	
L1		35	45	45	45	45	65	

Dog coupling 3)

Type
DIN 3338 **C = Ø d11**

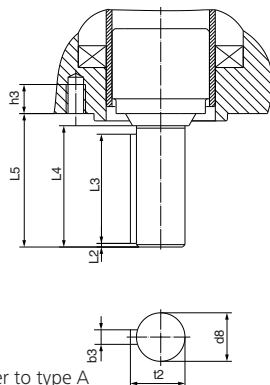


For missing dimensions, refer to type A

Dimensions		SA 07.2/SA 07.6			SA 10.2		SA 14.2/SA 14.6	
EN ISO 5210	DIN 3210	F07	F10	G0	F10	G0	F14	G1/2
b1 H11		14 4)	14	14	14	14	20	
Ø d11 H11		28 4)	28	28	28	28	38	
Ø d11 min.		–	20	20	20	20	30	
Ø d11 max. 2)		–	42	42	42	42	60	
Ø d12		36.8	51.8	51.8	51.8	51.8	73.8	
h3		12	13	13	15	15	25	
h11		7 4)	7	7	7	7	8	

Shaft end

Type
DIN 3210 **D**



For missing dimensions, refer to type A

Dimensions		SA 07.2/SA 07.6			SA 10.2		SA 14.2/SA 14.6	
EN ISO 5210	DIN 3210	F07	F10	G0	F10	G0	F14	G1/2
Ø d8 g6		20	20	20	20	20	30	30
b3 h9		6	6	6	6	6	8	8
h3		12	13	13	15	15	25	25
L2		1.5	1.5	1.5	1.5	1.5	2	2
L3		45	45	45	45	45	63	63
L4		50	50	50	50	50	70	70
L5		55	55	55	55	55	76	76
t2		22.5	22.5	22.5	22.5	22.5	33	33
Weight kg		0.4	0.4	0.4	0.7	0.7	2	2

- 1) Dimensions b, t depend on Ø dy, refer to DIN 6885-1
- 2) For rising valve stem Ø d11 max.= Ø d5 of type A
- 3) Weight included in actuator
- 4) Dimensions not complying with DIN 3338
- 5) Max. bore dimensions in mm

We reserve the right to alter data according to improvements made. Previous documents become invalid with the issue of this document.