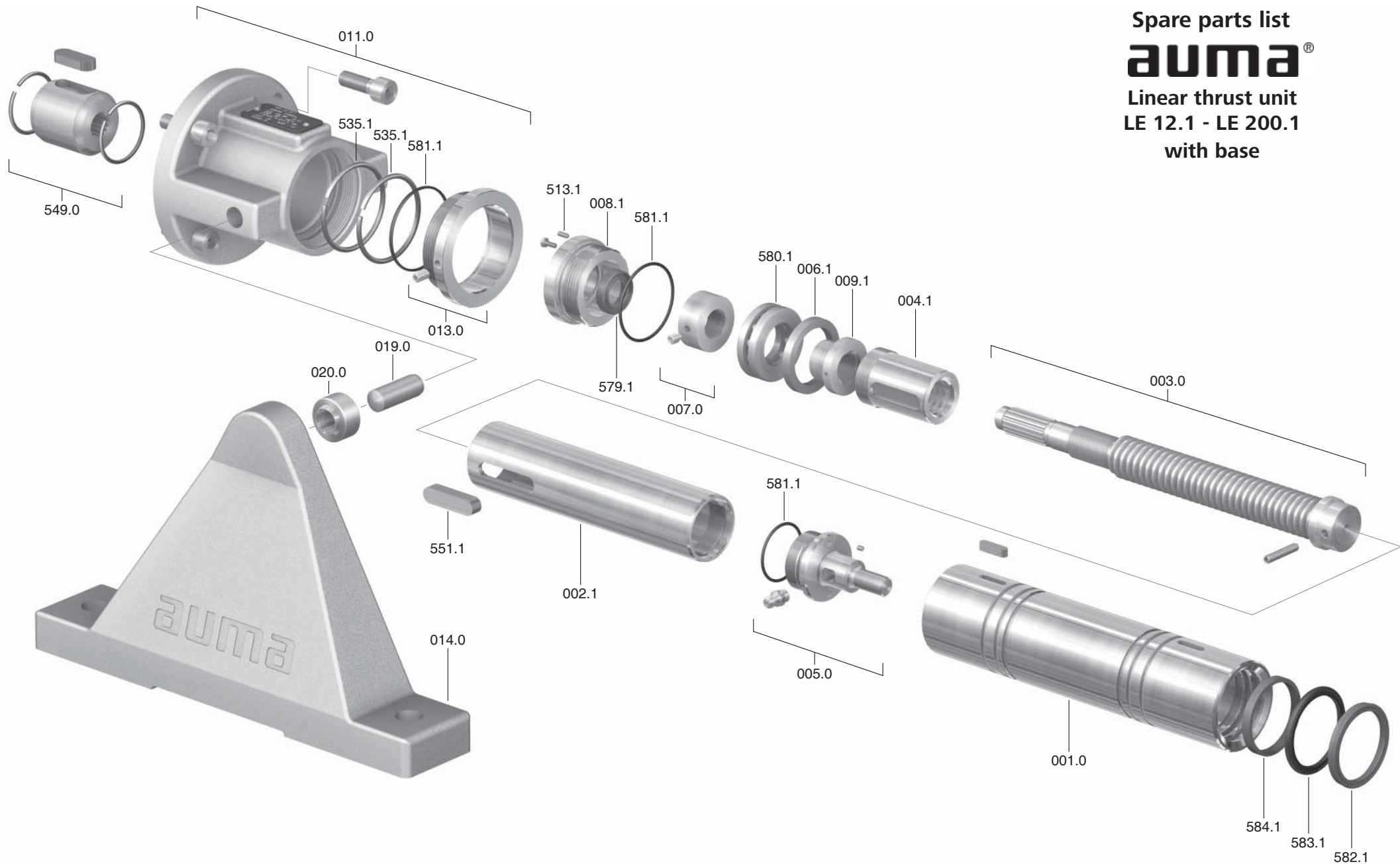


Spare parts list
auma[®]
 Linear thrust unit
 LE 12.1 - LE 200.1
 with base



Spare parts list Linear thrust unit

Please state type and commission no. of the device (see name plate) when ordering spare parts. Only original AUMA spare parts should be used. Failure to use original spare parts voids the warranty and exempts AUMA from any liability. Delivered spare parts may slightly vary from the representation.

Ref.No.	Designation	Type
001.0	Outer tube	Sub-assembly
002.1	Inner tube	Sub-assembly
003.0	Stem	Sub-assembly
004.1	Nut	Sub-assembly
005.0	Coupling stud	
006.1	Support washer	Sub-assembly
007.0	Ring nut	Sub-assembly
008.1	Retainer	
009.1	Bearing bush	Sub-assembly
011.0	Actuator mounting flange	Sub-assembly
012.0	Output mounting flange	Sub-assembly
013.0	Locking nut	Sub-assembly
014.0	Basse assy	
019.0	Parallel pin	
020.0	Self-aligning bearings	
513.1	Grub screw	Sub-assembly
535.1	Snap ring	
549.0	Output drive B3/B4/E	Sub-assembly
551.1	Parallel key	Sub-assembly
579.1	Radial seal	
580.1	Axial deep groove ball bearing	
581.1	O-ring	
582.1	Dust retainer ring	
583.1	Sealing ring	
584.1	Guide ring	