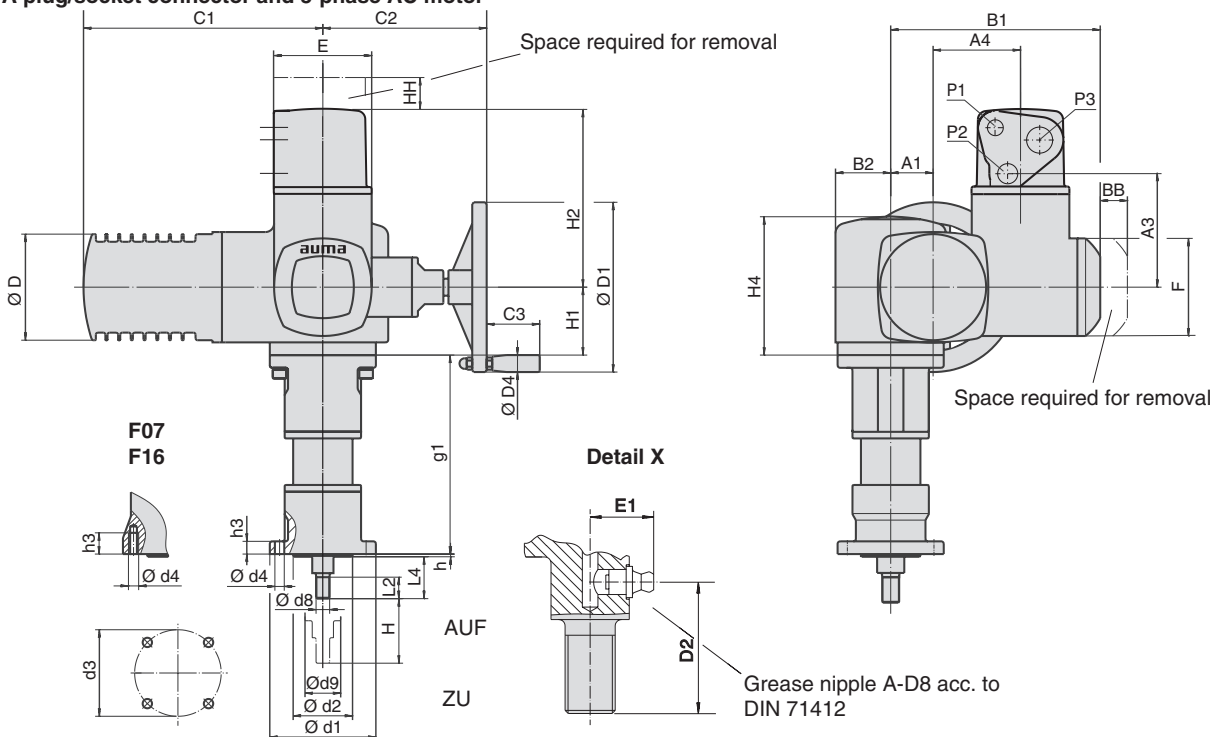


Dimensions Linear thrust unit

LEN 12.1 – LEN 200.1
SAN 07.1 – SAN 16.1
SARN 07.1 – SARN 16.1

With AUMA plug/socket connector and 3-phase AC motor



Standard version, actuator clockwise rotation: extending stem

| Dimensions | Linear thrust unit | | | | | | | |
|-------------------|-----------------------|-------|-----------------------|-------|-----------------------|-----------------------|-----------------------|-----------------------|
| | LEN 12.1 | | LEN 25.1 | | LEN 50.1 | LEN 70.1 | LEN 100.1 | LEN 200.1 |
| | F07 | F10 | F07 | F10 | F10 | F14 | F14 | F16 |
| suitable actuator | SAN 07.1 SARN 07.1 | | SAN 07.5 SARN 07.5 | | SAN 10.1 SARN 10.1 | SAN 14.1 SARN 14.1 | SAN 14.5 SARN 14.5 | SAN 16.1 SARN 16.1 |
| H (Hub) | 50 | | 50 | | 63 | 80 | 80 | 100 |
| A 1 | 40 | | 40 | | 50 | 63 | 63 | 80 |
| A 3 | 134 | | 134 | | 134 | 144 | 144 | 144 |
| A 4 | 103 | | 103 | | 103 | 117 | 117 | 122 |
| B 1 | 237 | | 237 | | 247 | 285 | 285 | 307 |
| B 2 | 62 | | 62 | | 65 | 90 | 90 | 115 |
| C 1 | 265 | | 265 | | 282 | 384 | 384 | 510 |
| C 2 | 186 | | 186 | | 191 | 235 | 242 | 260 |
| C 3 | 63 | | 63 | | 63 | 94 | 94 | 94 |
| Ø D max. | 101 | | 101 | | 125 | 153 | 153 | 190 |
| Ø D 1 | 160 | | 160 | | 200 | 315 | 400 | 500 |
| D 2 | 37 | | 42 | | 43 | 63 | 63 | 76 |
| Ø D 4 | 20 | | 20 | | 20 | 25 | 25 | 25 |
| E | 115 | | 115 | | 115 | 115 | 115 | 115 |
| E 1 | 18 | | 21 | | 24 | 26 | 26 | 29 |
| F | 115 | | 115 | | 115 | 150 | 150 | 150 |
| H 1 | 78 | | 78 | | 80 | 110 | 110 | 130 |
| H 2 | 210 | | 210 | | 210 | 220 | 220 | 220 |
| H 4 | 155 | | 155 | | 168 | 213 | 213 | 253 |
| L 2 | 20 | | 25 | | 30 | 55 | 55 | 65 |
| L 4 ±0.2 | 45 | | 50 | | 55 | 75 | 75 | 90 |
| P 1 | M20 x 1.5 | | M20 x 1.5 | | M20 x 1.5 | M20 x 1.5 | M20 x 1.5 | M20 x 1.5 |
| P 2 | M25 x 1.5 | | M25 x 1.5 | | M25 x 1.5 | M25 x 1.5 | M25 x 1.5 | M25 x 1.5 |
| P 3 | M32 x 1.5 | | M32 x 1.5 | | M32 x 1.5 | M32 x 1.5 | M32 x 1.5 | M32 x 1.5 |
| BB min. | 180 | | 180 | | 180 | 180 | 180 | 180 |
| HH min. | 30 | | 30 | | 30 | 30 | 30 | 30 |
| Ø d 1 | □75 | 125 | □75 | 125 | 125 | 175 | 175 | 210 |
| Ø d 2 | 55 g7 | 70 f8 | 55 g7 | 70 f8 | 70 g7 | 100 f8 | 100 f8 | 130 f8 |
| Ø d 3 | 70 | 102 | 70 | 102 | 102 | 140 | 140 | 165 |
| Ø d 4 | M8 | 11 | M8 | 11 | 11 | 18 | 18 | M20 |
| Ø d 8 | M12 x 1.25 | | M16 x 1.5 | | M20 x 1.5 | M36 x 3 | M36 x 3 | M42 x 3 |
| Ø d 9 -0.1 | 42 | | 42 | | 55 | 70 | 70 | 100 |
| g 1 | 191 | | 191 | | 234 | 293 | 293 | 362 |
| h | 3.4 | 3 | 3.4 | 3 | 3.4 | 4 | 4 | 4 |
| h 3 | 20 | 15 | 20 | 15 | 15 | 18 | 18 | 20 |

We reserve the right to alter data according to improvements made. Previous documents become invalid with the issue of this document.

auma®

Issue **1.10**

1/1

Y001.033/002/en