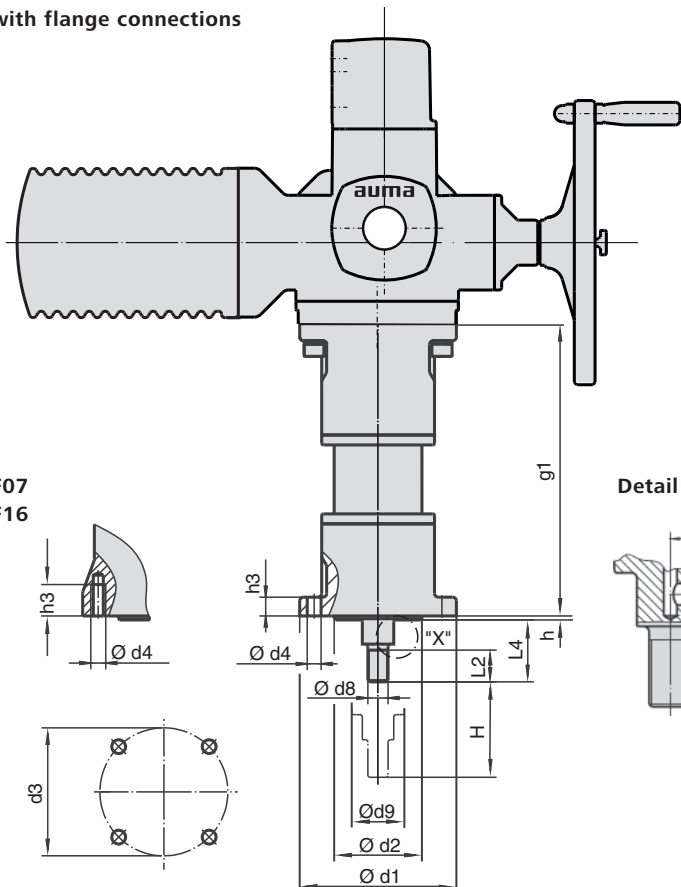


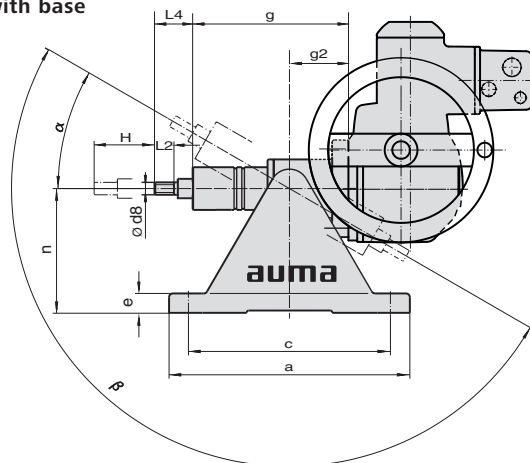
LE 12.1 – LE 200.1
SA 07.2 – SA 16.2 / SAR 07.2 – SAR 16.2

with flange connections

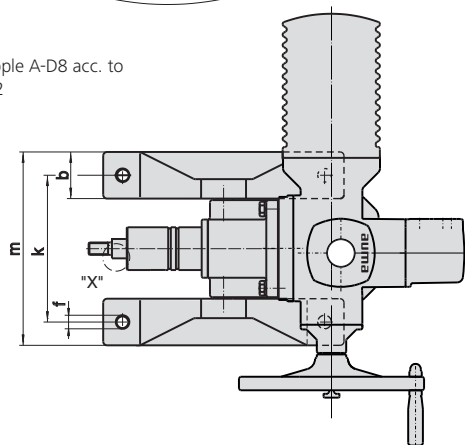
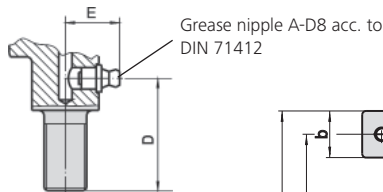


F07
F16

with base



Detail X



Detail refer to „Mounting dimensions linear thrust unit“
Standard version, actuator clockwise rotation: extending stem
Dimensions of actuator refer to sheet „Dimensions SA 07.2 – SA 16.2“ latest issue

Dimensions	LE 12.1					LE 25.1					LE 50.1				LE 70.1				LE 100.1				LE 200.1			
DIN 3358	F07/F10					F07/F10					F10				F14				F14				F16			
suitable actuator	SA 07.2 SAR 07.2					SA 07.6 SAR 07.6					SA 10.2 SAR 10.2				SA 14.2 SAR 14.2				SA 14.6 SAR 14.6				SA 16.2 SAR 16.2			
H (stroke)	50	100	200	400	500	50	100	200	400	500	63	125	250	400	80	160	320	400	80	160	320	400	100	200	400	500
a	310					310					310				565				565							
b	60					60					60				80				80							
c	260					260					260				500				500							
Ø d1	□75/125					□75/125					125				175				175							
Ø d2	55 g7/70 f8					55 g7/70 f8					70 g7				100 f8				100 f8							
Ø d3	70/102					70/102					102				140				140							
d4	M8/11					M8/11					11				18				18							
Ø d8	M12 x 1.25					M16 x 1.5					M20 x 1.5				M36 x 3				M36 x 3							
Ø d9-0.1	42					42					55				70				70							
e	25					25					25				32				32							
f	17.5					17.5					17.5				26				26							
g	195	245	345	545	645	195	245	345	545	645	238	300	425	575	296	376	536	616	296	376	536	616	367	467	667	767
g1	191	241	341	541	641	191	241	341	541	641	234	296	421	571	293	373	533	613	293	373	533	613	362	462	662	762
g2	70					70					70				70				80							
h	3,4/3					3,4/3					3,4				4				4							
h3	20/15					20/15					15				18				18							
k	190					190					190				262				262							
m	249					249					249				342				342							
n	160					160					160				315				315							
D	37					42					43				63				63							
E	18					21					24				26				26							
L2	20					25					30				55				55							
L4 ±0.2	45					50					55				75				75							
α max.	30°					30°					30°				25°				25°							
β max.	145°					145°					140°				140°				140°							

We reserve the right to alter data according to improvements made. Previous documents become invalid with the issue of this document.