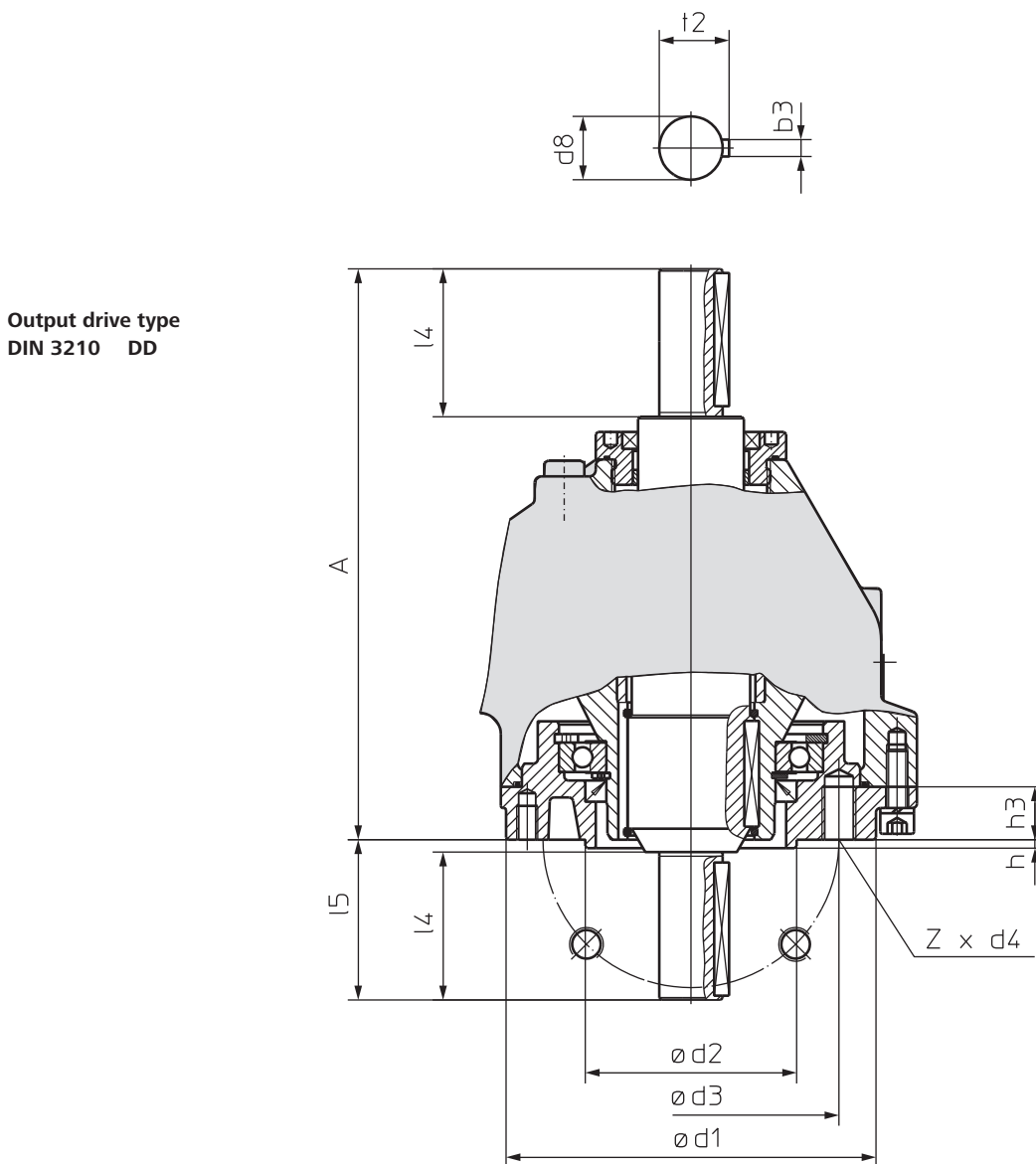


Dimensions Output drive type DD, shaft end bottom and top



1) Does not apply to special reduction ratio 1:1 (U3.1618)

Dimensions	GK 10.2		GK 14.2/GK 14.6		GK 16.2		
	EN ISO 5210/DIN 3210	F10	G0	F14	G1/2	F16	G3
A		230		270		304 ¹⁾	
b3		6		8		12	
$\varnothing d1$		125		175		210	
$\varnothing d2$		70	60	100		130	
$\varnothing d3$		102		140		165	
d4		M10		M16		M20	
$\varnothing d8$ g6		20		30		40	
h		3		4		5	
h3		15		25		30	
l4		50		70		90	
l5		55		76		97	
t2		22.5		33		43	
Z		4		4		4	

We reserve the right to alter data according to improvements made. Previous documents become invalid with the issue of this document.