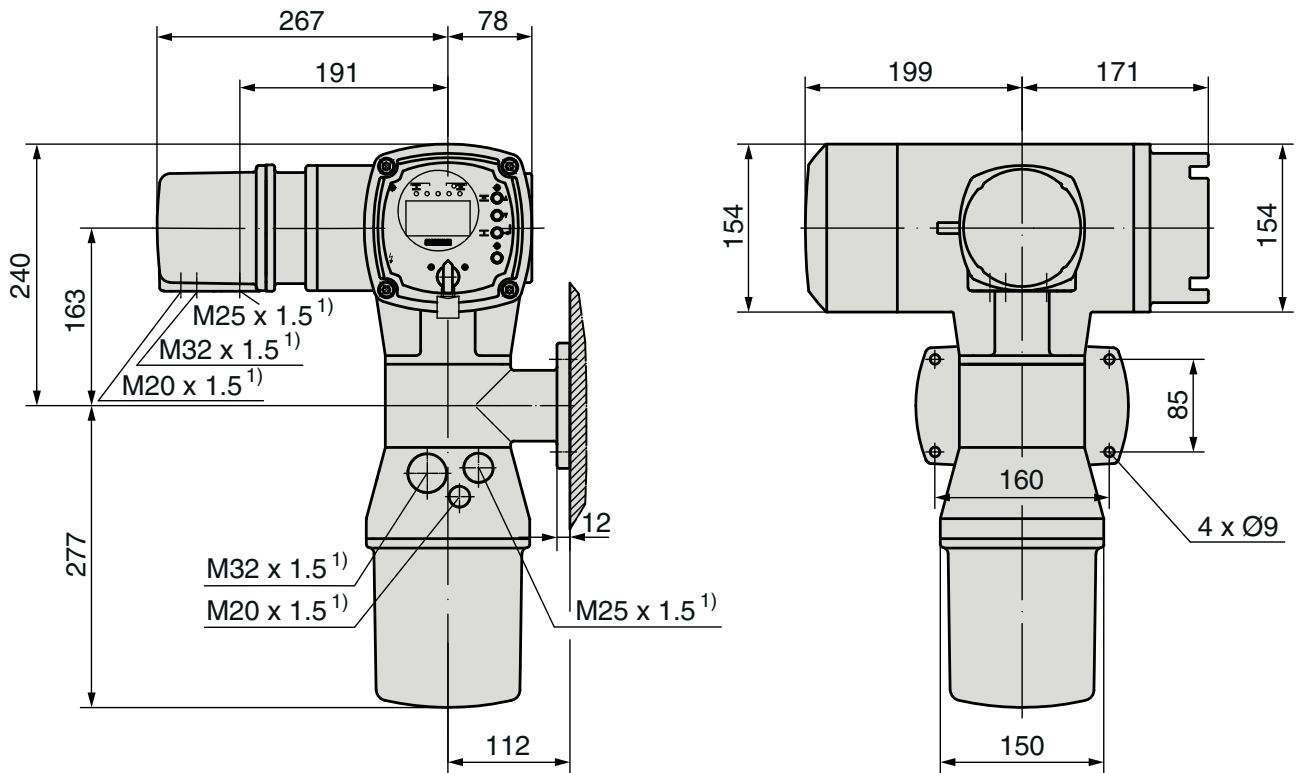
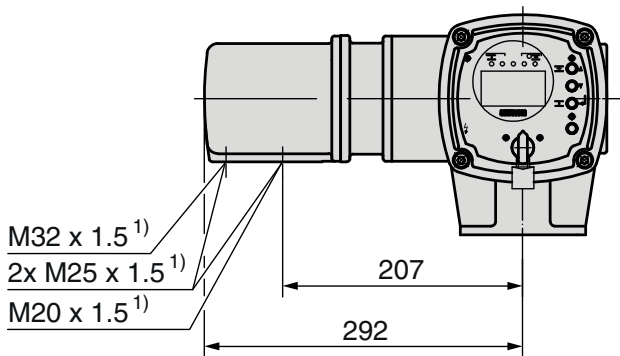


Dimensions ACEXC 01.2 wall bracket

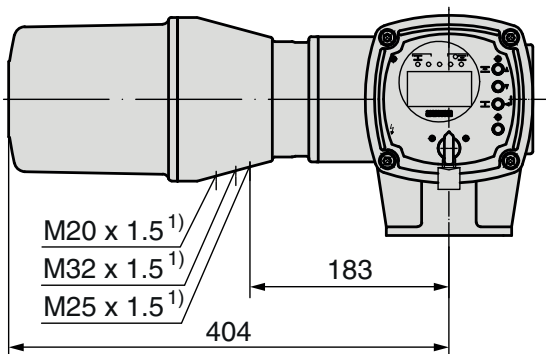
Standard version KP



Version KPH



Version KES



1) Steel conduit thread subject to explicit order.