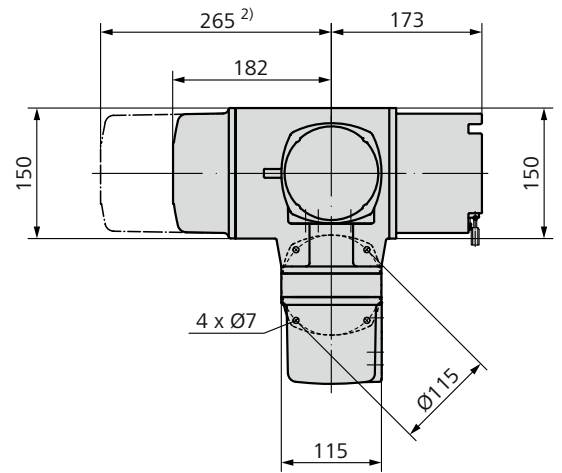
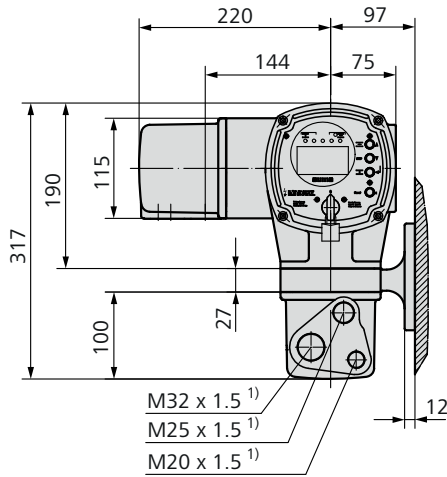
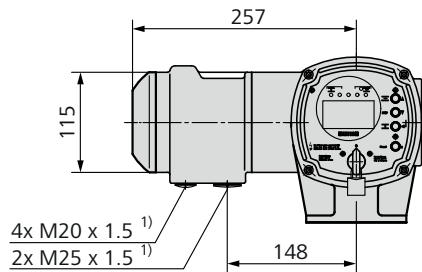


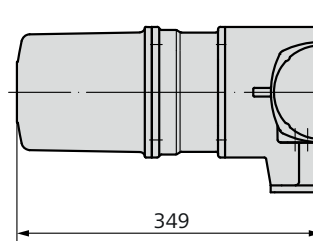
Dimensions AC 01.2 wall bracket



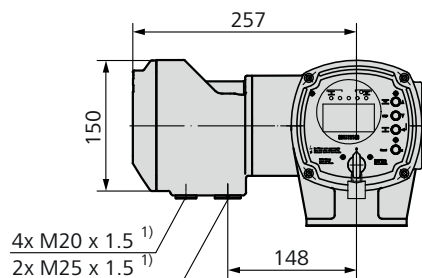
Version with fieldbus



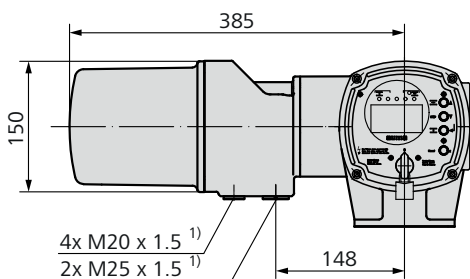
Version with thermal overload relay



Version with fieldbus FOC



Version with Modbus TCP/IP



- 1) Thread for steel conduit subject to explicit order.
- 2) High housing cover only in combination with the options:
 - Switch gear A3
 - Low temperature version with heating system
 - DC versions 24 V DC to 220 V DC
 - Mains voltage tolerance -30 %
 - Auxiliary voltage output 115 V AC

We reserve the right to alter data according to improvements made. Previous documents become invalid with the issue of this document.